

ZTE V100

— High Definition Color Camera

ZTE V100, a Full HD color camera featured with megapixels and wide view angle. It adopts 1/2.5 inch COMS sensor that can provide 5.00 million effective pixels. Embedded with 18x optical zoom lens, ideal function for close-up shot in conferencing.

As a professional video conference camera, ZTE V100 has lots of features designed for video conferencing use: 10 preset positions; Remote controller & Remote COM command control; Upside down mount installation available. ZXV10 V100 camera would be an ideal option for Tele-presence, Tele-education and Corporation training.



ZTE V100 Features:

■ 2.74M Pixel High Definition Video Sensor

ZXV10 V100 employs 1/2.5 inch CMOS Sensor, with 5.00 million pixels, providing 1920 x 1080 super high resolution image.

■ Wide Range, High Speed and Low Noise Pan/Tilt Rotation

Step motor driving, smooth rotation and user friendly without dithering. Moving to the appointed position quickly and accurately, meanwhile, shooting large area.

■ High Definition Multiple Video Output Format

Support 1080p60/50/30/25, 1080i60/50, 720p60/50, and can video out the HD analog signal and digital signal simultaneously from the interface of YPbPr, HDMI, HD-SDI.

■ High Quality Video Transfer by HD-SDI

Equipped with HD-SDI interface terminal (SMPTE292M), to support long distance, high quality HD video transfer.

■ Lens Focus

4.7mm-84.6mm (18x zoom)
Horizontal view angle: 3.1° - 56°
Vertical view angle: 55.2° - 3.9°

■ RS-232C Remote Controller (VISCA Protocol)

RS-232C(VISCA protocol) interface: All setting of camera and pan/tilt/zoom can be remote high speed communication controlled.

■ 10 Preset Position

10 preset position, preset pan, tilt, zoom, focus position, exposal mode and white balance. Preset data never lost when power is off.

■ Multi-function Remote Controller

Equipped with easy and convenient remote controller; Except the basic setting and the control of Pan, Tilt, zoom, it can also set the relative parameters of camera by the remote controller.

■ Support in-Ceiling Mount Installation

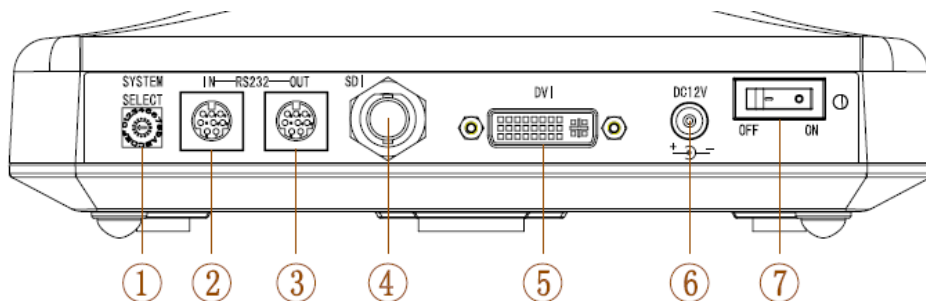
Support in-ceiling mount installation structurally, and set the rotation of image pan/tilt by serial command. The image rotation command can be kept after power-off.

■ OSD Menu in English

There are English-Chinese OSD menu, and by the menu the users can set the camera exposure parameter, change the video format, and check the current status.

ZTE V100 Technical Specifications:

Item	Specifications
Image Sensor	1/2.5 inch high-quality HD CMOS sensor
Pixel	16:9 5,000,000 pixels
Video Signal	1080p60/50, 1080p30/25, 1080i 60/50, 720p60/50
Camera	18x optical zoom, f=4.7-84.6mm
Viewing angle	3.1° (far end) -56° (near end)
Lowest Illumination	2LUX
White Balance	Auto/ Manual
Focusing	Auto/ Manual
Aperture	Auto/ Manual
Preset Position	10
Electronic Shutter	Auto/ Manual
BLC	on/off
Signal to Noise Ratio	>50dB
Pan Rotation	±100 degree
Tilt Rotation	±30 degree
Pan Speed	0.5-80° /sec
Tilt Speed	0.5-80° /sec
Video Output	SDI, DVI(HDMI, YPbPr)
Working Environment	Indoor use
Power Supply Adapter	DC12V/ 2.5A
Consumption	16W(MAX)
Working Temperature	0°C - +40°C
Storage Temperature	-10°C - +60°C
Dimension	210mmx143mmx163mm
Weight	1.5KG
Accessory	AC adapter (x1), remote control (x1), User Manual (x1), double-sided pads (x4), RS232 communication cable (x1)



- | | |
|---------------------------------------|---------------------------|
| 1. Rotary Switch: video format choice | 5. DVI-I inter face |
| 2. RS232 control interface (in) | 6. DC12V power input jack |
| 3. RS232 control interface (out) | 7. Power switch: ON/OFF |
| 4. HD-SDI interface | |