

NXPTZ

DAY/NIGHT PTZ CAMERA - ONSHORE/OFFSHORE, MARINE, INDUSTRIAL



MAIN FEATURES

Electropolished AISI 316L stainless steel

Pre-wired multipolar cable

IP66

Variable speed: 0.1°-100°/s Pan and Tilt

Position accuracy: 0.02°

Up to 2 simultaneous video streams (IP based version)

Day/Night camera:

- True Progressive Scan
- High resolution: up to 550 TVLines
- Advanced image stabilizer (Stable Zoom Mode)
- Day/Night (Auto ICR: automatic removal of IR filter)

Total control through Videotec's PTZ assistant (IP based version)

Integrated wiper

Operating temperature: -40°C / +60°C (-40°F / +140°F)

OPTIONS:

IP based control, H.264/AVC and JPEG, 25fps, Full D1 (compatible with ONVIF protocol, Profile S)

DESCRIPTION

The NXPTZ is an exceptional integrated PTZ camera unit perfect for heavy-duty tasks and ideal to operate in the harshest and most corrosive environments, such as industrial and offshore/onshore marine applications.

The NXPTZ ensures long-term performance, with low maintenance, thanks to the maximum care in the construction processes and the best quality AISI316L, passivated and electropolished.

All models are available in analog or IP version.

The flexible operator control of pan/tilt/zoom functions allows the video transmission over the local area network (LAN) or over the Internet with H.264/AVC compression, compatible with ONVIF Profile S.

The Videotec's PTZ ASSISTANT plug-in software supports any VMS with the control of all special functions such as wiper and washer pump.

The PTZ unit is always supplied with integrated wiper; wide choice of tanks with washer pump available with different capacities and delivery heights.



NXPTZ



NXPTZ



NXPTZ

TECHNICAL DATA**GENERAL**

Dynamic positioning control system

16-character string for zone and preset titling

Maximum number of presets: 250

Functions: Autopan, Preset, Patrol, Tour (maximum 3), Autoflip

I/O alarm card:

- 5 alarm inputs
- 2 relay outputs (1A 30Vac/60Vdc max)

MECHANICAL

AISI 316L stainless steel construction

Passivated and electropolished external surfaces

Pre-wired multipolar cable (3m (118in))

Horizontal rotation: 360° continuous

Vertical rotation: from -90° up to +90°

Horizontal speed (variable): from 0.1°/s up to 100°/s

Tilt speed (variable): from 0.1°/s up to 100°/s

Accuracy of preset positions: 0.02°

Integrated wiper

Glass window: thick 6mm (0.2in)

Unit weight: 20.5kg (45lb)

ELECTRICAL

Power supply/Current consumption:

- 230Vac, 0.5A max, 50/60Hz
- 24Vac, 5A max, 50/60Hz
- 120Vac, 1A max, 50/60Hz

Power consumption:

- 120W
- 29W, P&T static, heating switched off

VIDEO

Analog version:

- 1 video output, 75 Ohm, 1Vpp (PAL/NTSC)

IP version:

- Video compression: H.264/AVC, JPEG
- Two independent video streams
- Image resolution: from Full D1 (720x576 for PAL, 720x480 for NTSC) to 352x240 in 18 steps
- Web Server
- Certified ONVIF, Profile S

COMMUNICATIONS

Configuration through OSD

2 half-duplex serial RS-485 interfaces or full-duplex RS-422

Firmware updating from console in remote mode (only VIDEOTEC MACRO and PELCO D protocols)

Up to 999 units, addressable by means of dip-switches

PROTOCOLS

AMERICAN DYNAMICS, ERNITEC, PANASONIC, PELCO D, VIDEOTEC MACRO

NETWORK

Connection Ethernet port LAN 10/100T

NETWORK PROTOCOLS

Protocol: ONVIF, Profile S

Device configuration: TCP/IPv4, UDP/IPv4, HTTP, NTP, DHCP, WS-DISCOVERY, QoS

Streaming: RTSP, RTCP, RTP

ENVIRONMENT

Indoor/Outdoor

Operating temperature: from -40°C (-40°F) a +60°C (140°F)

Surge immunity: up to 2kV line to line, up to 4kV line to earth (Class 4)

CERTIFICATIONS

Electrical safety (CE): EN60950-1

Electromagnetic compatibility (CE): EN50130-4, EN55022 (Class A), EN61000-6-3, FCC Part 15 (Class A)

Outdoor installation (CE): EN60950-22, IEC 60950-22

IP protection degree: EN60529 (IP66)

EAC certification

ACCESSORIES

WASPT0V5L5M00 Water tank 5l, pump with delivery up to 5m (16ft), IN 230Vac-24Vac-120Vac

WASPT0V23L5M00 Water tank 23l, pump with delivery up to 5m (16ft), IN 230Vac-24Vac-120Vac

WASPT0V23L11M00 Water tank 23l, pump with delivery up to 11m (36ft), IN 230Vac-24Vac-120Vac

WASPT1V23L30M00 Water tank 23l, pump with delivery up to 30m (98ft) with water floating, IN 230Vac

WASPT3V23L30M00 Water tank 23l, pump with delivery up to 30m (98ft) with water floating, IN 120Vac

BRACKETS AND ADAPTORS

NXPTZWB AISI 316L stainless steel wall bracket

NXPTZTW AISI 316L stainless steel parapet or ceiling mounting bracket

NXPTZCOL AISI 316L stainless steel pole adapter module

NXPTZCW AISI 316L stainless steel corner adapter module

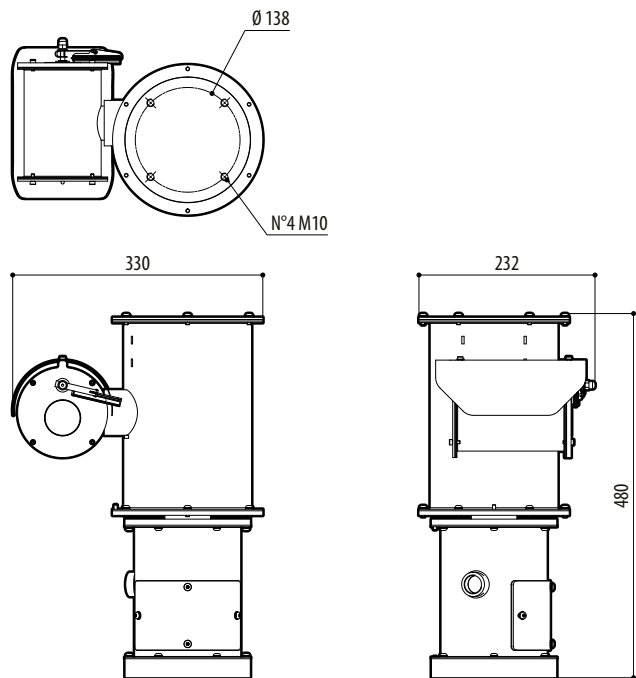
PACKAGE

Model Number	Weight	Dimensions (WxHxL)	Master carton
NXPTZ1PVW000A	25kg (55lb)	54x31x49cm	-

NXPTZ - CONFIGURATION OPTIONS							
	Voltage	Day/Night camera				Video Output	
NXPTZ	1 230Vac	P Day/Night camera 36x optical zoom lens, PAL	V With alarm board	W With wiper	0	0 Analog	00A
	2 24Vac	N Day/Night camera 36x optical zoom lens, NTSC				Z IP H.264/AVC, Protocol ONVIF Profile S	
	3 120Vac	Q Day/Night camera 28x optical zoom lens, PAL					
		M Day/Night camera 28x optical zoom lens, NTSC					

TECHNICAL DRAWINGS

Sizes in millimeters.



NXPTZ

DAY/NIGHT CAMERA FEATURES				
	Day/Night 36x		Day/Night 28x High sensitivity	
	PAL	NTSC	PAL	NTSC
Optical zoom	36x		28x	
Wide Dynamic Range (Fix/Auto)	✓		-	
True progressive SCAN	✓		-	
Digital image stabilisation	✓		✓	
White balance	Auto, ATW, Indoor, Outdoor (Fix/Auto), Sodium Vapor Lamp (Fix/Auto)		Auto, ATW, Indoor, Outdoor (Fix/Auto), Sodium Vapor Lamp (Fix/Auto)	
High horizontal resolution	Up to 550 TV Lines		Up to 550 TV Lines	
Day/Night (Auto ICR)	✓		✓	
Image Sensor	1/4" EXView HAD CCD		1/4" Super HAD CCD II	
Number of effective Pixels	~ 440000 pixel	~ 380000 pixel	~ 440000 pixel	~ 380000 pixel
Min. Color illumination (IR-Cut Filter = OFF)	1.4Lux / 1/50s 0.1 Lux / 1/3s	1.4Lux / 1/60s 0.1 Lux / 1/4s	0.25Lux / 1/50s 0.16 Lux / 1/3s	0.25Lux / 1/60s 0.16 Lux / 1/4s
Min. B/W illumination	0.01 Lux / 1/3s	0.01 Lux / 1/4s	0.0015 Lux / 1/3s	0.0015 Lux / 1/4s
"Shutter Time" automatic increase to improve the night surveillance	✓		✓	
S/N ratio	Greater than 50dB		Greater than 50dB	
AE control	Automatic, Shutter priority, Diaphragm priority, Brightness priority and Manual		Automatic, Shutter priority, Diaphragm priority, Brightness priority and Manual	
Back light compensation	On/Off		On/Off	
Spherical masking (3D) of Privacy zones with automatic upgrade	✓		✓	
Privacy Zone Masking	On/Off (24 positions)		On/Off (24 positions)	
Maximum number of masking blocks to be displayed	8		8	
Resolution of masking blocks	160x120 HxV		160x120 HxV	
Masking	Up to 15 different masking types: 14 colour types or mosaic		Up to 15 different masking types: 14 colour types or mosaic	
Focusing system	Auto (Sensitivity: Normal, Low), Trigger PTZ, Manual		Auto (Sensitivity: Normal, Low), Trigger PTZ, Manual	
"Smart" lens control	Automatic Lens Reset		Automatic Lens Reset	
High Zoom and Wide Horizontal Field of View Capability	✓		✓	
Optical zoom	36x, f=3.4 (wide) to 122.4mm (tele) / F1.6 to F4.5		28x, f=3.5 (wide) to 98mm (tele) / F1.35 to F3.7	
Digital Zoom	12x (432x with optical zoom)		12x (336x with optical zoom)	
Angle of view (A)	57.8 degrees (wide) to 1.7 degrees (tele)		55.8 degrees (wide) to 2.1 degrees (tele)	
Minimum object distance	320mm (12.6in) (wide) to 1500mm (59.1in) (tele)		10mm (0.4in) (wide) to 1500mm (59.1in) (tele)	
Electronic Iris Speed	1/1 ÷ 1/10000s		1/1 ÷ 1/10000s	