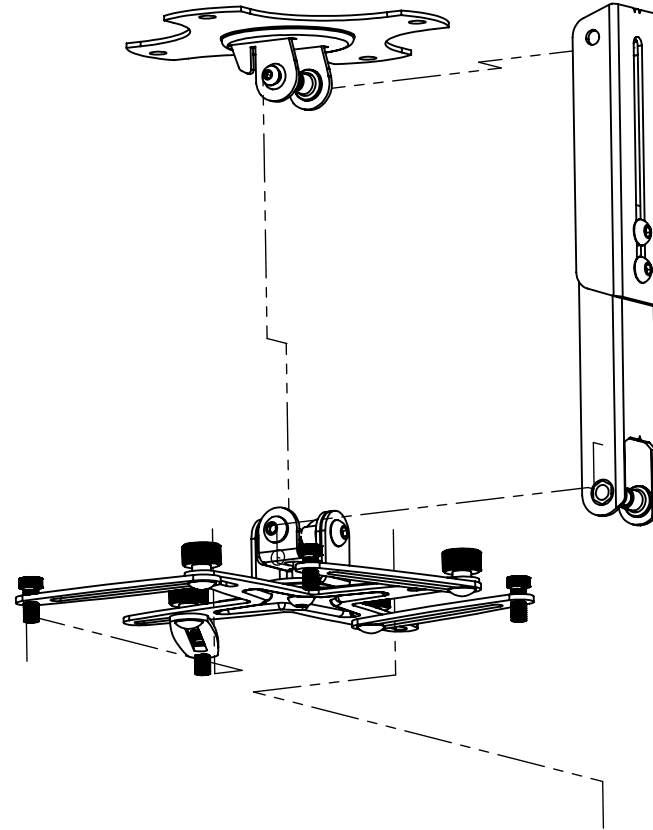


Description		GKU1 Projector Mount 23 To 30Cm		
UNLESS OTHERWISE SPECIFIED: DIMENSIONS ARE IN MILLIMETERS		Mod Date	14/12/2016	REVISION
SURFACE FINISH: Powder Coated		Drawn Date:	25/01/2007	A-021
DRAWN Ricky Clark		Material		
Unicol Engineering Green Road Oxford OX3 8EU		Gauge		DWG NO.
				GKU1
		WEIGHT: 218.18 Kg		A4
		SCALE:1:5	DO NOT SCALE DRAWING	SHEET 1 OF 3

Bend Tool

See Below - Fixings Required

C2			
ITEM NO.	PART NUMBER	Description	Qty
1	GFP	Gfp Gyrolock Ceiling Plate	1
2	G30	G30 Gyrolock Extension 23 To 30Cm	1
3	Ass-- 20002622	Universal Gyrolock Adapter Compact GKE Base Body	1



Note  
Shown with example Universal and Adaptor plate - Sold separately

Description		GKU1 Projector Mount 23 To 30Cm		
UNLESS OTHERWISE SPECIFIED: DIMENSIONS ARE IN MILLIMETERS		Mod Date	14/12/2016	REVISION
SURFACE FINISH: Powder Coated		Drawn Date:	25/01/2007	A-021
DRAWN <b>Ricky Clark</b>		Material		
Unicol Engineering Green Road Oxford OX3 8EU		Gauge		
Bend V Tool		Bend & Machine Number		
		DWG NO. <b>GKU1</b>		
		A4		

All Fixings must be approved by a builder or architect and these are only shown for illustrational purposes

Gyrolock units may be fixed to normal or sloping ceilings, with the telescopic section remaining vertical for correct video projector support. When used as a wall mount the telescopic section works as an angled support arm allowing clearance for the tilt and swivel movements. Units can also be base mounted for rear projection or other applications. Our range of projector adapter plates (order code GAP) is constantly updated - see current list for latest projectors covered.

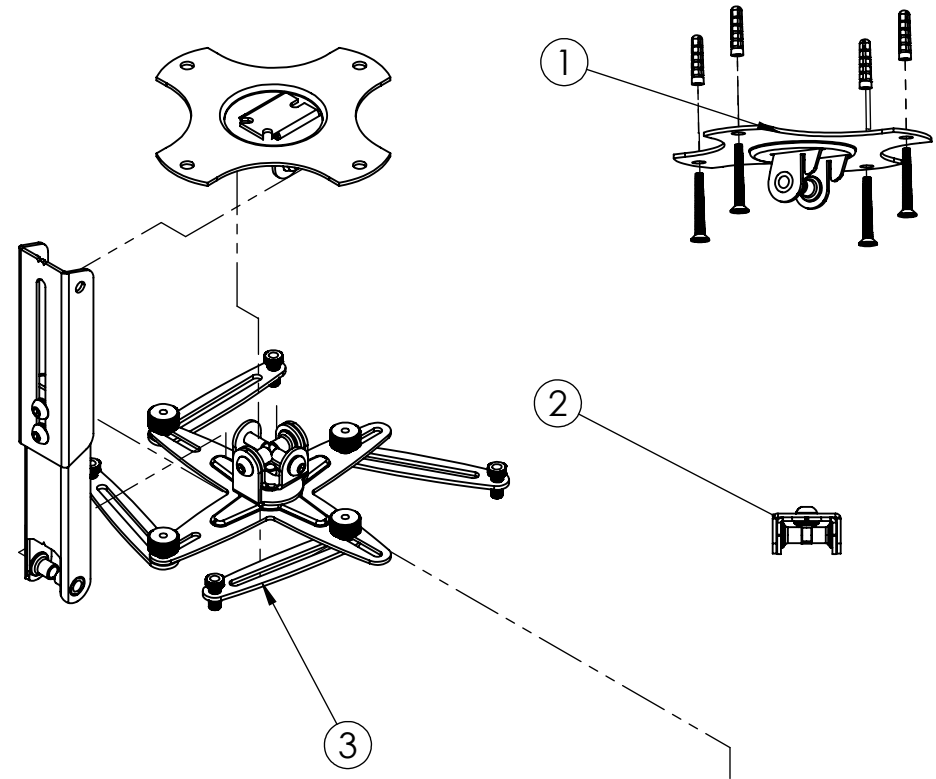
**CEILING INSTALLATION - STANDARD GKI UNIT**

Establish the required projector to screen distance and fix the unit through the holes provided in the mounting plate (1).

Adjust the telescopic section (2) as required and fully tighten screws.

**PROJECTOR MOUNTING**

Fix the adapter plate (3) to the video projector using the screws provided.



Description		UNLESS OTHERWISE SPECIFIED: DIMENSIONS ARE IN MILLIMETERS		Mod Date	14/12/2016	REVISION	Bend & Machine Number	
SURFACE FINISH: Powder Coated		Drawn Date:	25/01/2007	A-021				
DRAWN	Ricky Clark	Material						
Unicol Engineering Green Road Oxford OX3 8EU		Gauge				DWG NO.	GKU1	
WEIGHT: 218.18		Kg		SCALE:1:5		DO NOT SCALE DRAWING		SHEET 3 OF 3

Bend V Tool

A4