

InSwitch ISE Series5005D

Gigabit Unmanaged Ethernet Switch



- 5 1000 Mbps Gigabit Ethernet Interfaces
- Simple plug and play installation
- Jumbo frames and flow control
- IP40 protection class, fully enclosed metal cabinet
- -40 to +85°C operating temperature range
- Wide voltage range design, redundant dual power input
- UL508 certified

Product Overview

The ISE5005D is a fiveport Gigabit switchfeaturingDIN rail mounts, compact designand industrial grade resilience. Designed for applications in electric power, transportation, industrial control and other severe industrial environments, The ISE5005D integrates a wide temperature range, high voltage tolerance, enterprise-class forwarding performance, high-bandwidth, strong cabinet, protected circuits and other industrial features. The ISE5005 is the defining compact industrial switch.

Product Features

⇒ Proven dependable industrial quality

- ☑ Fault-free and reliable operation in applications such as: electric power stations, transportation, industrial control environments, and SCADA systems.
- ☑ Excellent electromagnetic/radiation/electrostatic protection capacity and zero packet loss under intensive electromagnetic interference
- ☑ Excellent EMC/EMI and anti-radiation performance
- ☑ Real industrial-class design, with working temperatures at -40~85°C
- ☑ Redundant power input and industrial-class surge protections

- ☑ Tough metal cabinet with corrosion-proof coating
- ☑ IP40 seal protection: dust proof, stain proof and debris proof

➤ Simple and easy to use

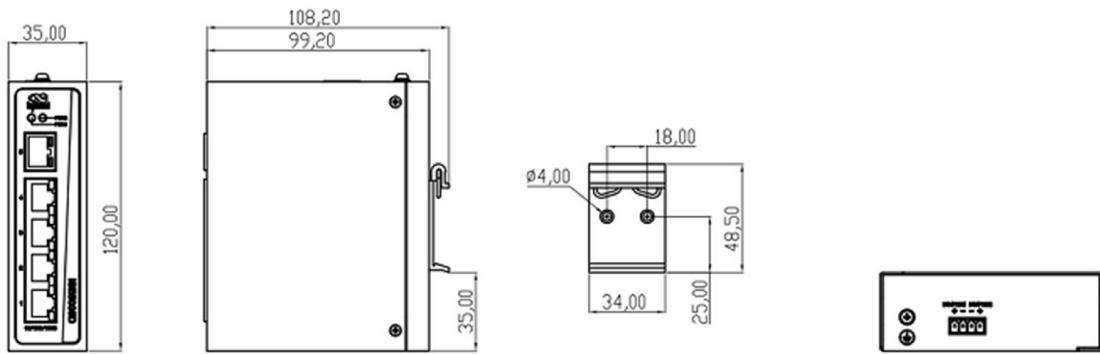
- ☑ Plug-and-play functionality for rapid deployment
- ☑ Linear data forwarding to ensure real time performance
- ☑ Compatible with industrial DIN-rails or available with an optional wall-mounting kit
- ☑ Supports IEEE 802.3x flow control and backpressure type flow controls to guarantee data integrity
- ☑ Latency under 3µs, satisfying the real time performance requirements of a production environment
- ☑ Open port flow control functionality ensures data is forwarded
- ☑ By default 10240 Byte “jumbo” frame forwarding is enabled to satisfy the requirements of high-performance gigabit networks.

Product Specification

Item		ISE5005D
Interface	RJ45 port	10/100/1000Base-T(X) self-adaptive RJ45 port
	LED indication	PWR1,PWR2
Mechanical structure	Housing	IP40 class protection, fully enclosed seamless metal cabinet PCB protection coating
	Dimensions	35mm* 120mm *100mm
	Weight	0.6 kg
	Heat dissipation mode	Fan-less heat dissipation
	Installation mode	DIN-rail, with optional wall mounting bracket
	MTBF	35 years
Power source	Input voltage	24VDC(12~48VDC), supporting redundant input
	Interface terminal	4-pin pluggable screw connection terminal
	Overload protection	Available
	Reverse polarity protection	Available
	Power consumption	<2.4W

Item		ISE5005D
Working environment	Working temperature	-40 ~ +85 °C
	Storage temperature	-40 ~ +85 °C
	Relative humidity	5%~95% (non-condensing)
Switching performance	Forwarding inherent time delay	<3μs
	Backplane bandwidth	10Gbps
	Data package buffer	1Mbit
Function features	Ethernet standard	IEEE 802.3 for 10Base-T(x)
		IEEE 802.3u for 100Base-T(x)and 100Base-FX
		IEEE 802.3x for flow control
		IEEE 802.3ab for 1000BaseT(x)
	The giant frame forwarding	Default enabled 10240 Byte frame forwarding
Industrial standard	Electromagnetic compatibility	ESD Electrostatic Discharge Immunity: EN61000-4-2,Level 3
		RFI Radio Frequency Immunity: EN61000-4-3,level 3
		EFT Electrical Fast Transient/Burst Immunity: EN61000-4-4,Level 3
		Surge Immunity: EN61000-4-5, level 3
		Immunity to Conducted Disturbances: EN61000-4-6, Level 3
		Damped Oscillator Immunity:EN61000-4-12, Level 3
	Shock Test	IEC60068-2-27
	Freefall	IEC60068-2-32
	Vibration	IEC60068-2-6
Warranty	Warranty	5 years

Dimensions (mm)



DIN-rail mounting diagram

Ordering Information

Product Model	Product Description
ISE5005D-5GT-24	5 - 10/100/1000Base-T(x) Ports, 24VDC Power source

InHand Networks

Connecting devices, enabling services

