

# VariPOS 719/819

19" Intel Sandy Bridge POS System



Integrated with 10.4" Display



Small Footprint

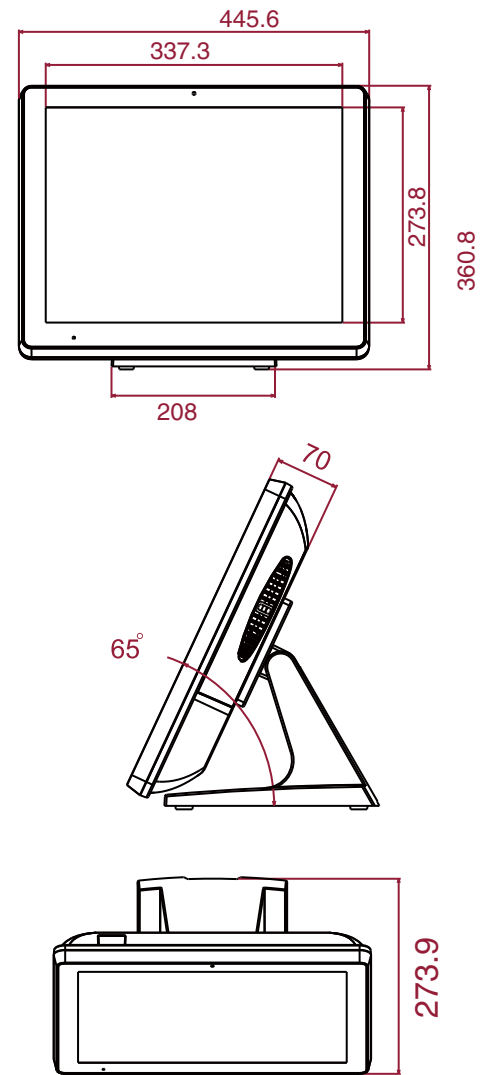


Ultra Slim & Aluminum Housing

# Specification

Model Name		VariPOS 719	VariPOS 819
Main Board	Processor	Intel® Celeron J1900 2.0GHz,Cache 2MB	Intel® Core i5-2510E 2.5GHz , Cache 3MB Intel® Core i3-2330E 2.2GHz , Cache 3MB Intel® Celeron B810 1.6GHz , Cache 2MB
	Chipset	CPU Integrated	Intel® HM65
	System Memory	1 x DDR3L SO-DIMM up to 8GB	1 x SO-DIMM DDRIII 1600MHz, up to 8GB
Display & Touch	LCD Size	19" TFT LCD(LED backlight)	
	Brightness	350nits	
	Resolution	1280 x 1024	
	Touch Technology	True Flat Projected Capacitive Technology	
Storage	HDD/SSD	1 x SATA (2.5") HDD or SSD	
I/O & Expansion	DC Input	1 x Mini Din 4P (DC 19V only)	1 x Mini Din 4P (DC 12V only)
	Cash Drawer	1 x RJ-11 (Power Pin 12V or 24V(default))	1 x RJ-11 (Power Pin 12V)
	LAN port	1 x Gigabit Ethernet by RJ-45	1 x Gigabit Ethernet by RJ-45
	USB port	5 x USB 2.0, 1 x USB 3.0	6 x USB 2.0
	COM port	3 x RS-232(RJ48 connector),COM1/2/3 Pin10 w/RI/5V/12V Selectable by BIOS (default is RI)	[Intel® Sandy Bridge] - 4 x RS-232(COM1/2:DB-9, COM3/4:RJ-48) w/RI/5V/12V Selectable by BIOS (default is RI)
	Audio port	1 x Line-out ; 1 x Mic-In	
	PS/2 port	N/A	1 x PS/2 connector for Keyboard
	LPT port	1 x DB-25 Printer port	
	VGA port	1 x DB-15 VGA port Power enable by BIOS setting (default disable)	1 x DB-15 VGA port
	Bus Expansion	1 x Mini-PCI-E Slot	
	Power Switch	1 x power on / off switch button	
	Speaker	HD Audio, 2W Speaker x 2	
	OS Support	Windows 8, Windows 7, POSready 7	Windows 7, POSready 7
Power Adapter	External adapter, DC Model:65 Watts, Voltage:+19VDC 3.42 Amax	External adapter, DC Model:120 Watts, Voltage:+12VDC 10 Amax	
Compliance	Certifications	CE, FCC, LVD, RoHS	
	Protection	IP 66 on front panel	
VESA Mount	100mm x 100mm VESA		
Material	Main Unit: Die-Cast Aluminum ; I/O Cover: Plastic		
Color	Main Unit: Black / White		
Dimension (W x H x D )	446 x 276 x 363		
Weight	9.3Kg		
Environmental	Operating Condition	0°C ~ 40°C, 10% ~ 90% RH, non-condensing	
	Storage Condition	-20°C ~ 60°C, 10% ~ 90% RH, non-condensing	

## Dimension unit:mm



## Optional Accessories

- VFD: 2 x 20 attached
- MSR: Front, 3 tracks RS-232 Type or PS/2 Type
- MSR & iButton: MSR-Front & iButton, RS-232 Type or PS/2 Type
- iButton: RS-232 Type or PS/2 Type
- SCR: USB Type
- Finger Print: USB Type
- RFID: USB Type, 13.56MHZ
- 2nd Display\*: 10.4" Resolution at 800 x 600 (Not Available on VariPOS 719)
- Web Camera: 1.3M pixel camera
- WLAN: WLAN 802.11 b/g/n