

# ToriPOS

Poindus

Poindus Systems Corp.



Legend of Combining Power and Elegance

[www.poindus.com](http://www.poindus.com)

## Aesthetic and Performance Shape ToriPOS

ToriPOS is designed with the sleek front panel and the compact computing module in the base. The efficient thermal structure allows Intel leading-edge Core processor integrated inside. Companion peripherals and a space-saving footprint shape ToriPOS slim, elegant.

The serviceability is engineered by modularized components in two main parts: touch display and computing box; minimizing technician levels and labor efforts. The frameless projected capacitive touch panel, with its robust glass is ideally suited for bar, restaurants, specialty stores as well as retail shops.

Poindus as the inventor of ToriPOS advances the design of POS product leaping ahead rather than functionality only. ToriPOS is going to satisfy the demanding restaurant owners and retailers worldwide.

### Features

- Intel 3rd Generation Core™ CPU: Celeron G540 / Core i3-3220 / Core i5-3550S
- 15" LED backlight LCD panel with PCAP touch screen
- Stylish design with die-casting chassis
- Alternative options of two hard drives or solid state drives with RAID capability
- Efficient thermal ventilation structure
- Upward facing connection points and modularized components advancing serviceability
- Companion peripherals (MSR, iButton, RFID, fingerprint reader, smart card reader and 2nd display) shaping style beyond functionality

Color White ▶



# ToriPOS

## Superior touch display



The combination of PCAP (Projected Capacitive Technology) touch screen and LED backlight LCD panel make it fit in unique chassis with thickness less than 2cm and realize the front panel bezel-free.

## High performance computing



ToriPOS features Intel® 3rd Generation Core™ Desktop processors up to Core i5-3550S. It provides visually smart performance for graphic intensive applications, and supports AMT (Active Management Technology) and RAID storage backup function.

## Modularized computing BOX for serviceability



With ToriPOS modularized computing BOX it is easier to manage maintenance service or upgrade components.

## Companion peripheral devices

Peripheral devices including MSR, iButton, RFID, etc. are consistent with the style of ToriPOS. Connection points on the sides of ToriPOS allows flexible configuration of peripherals.



## Efficient thermal ventilation structure

Exceptional thermal dispersion structure manages the heat well circulation and achieves perfect harmony of performance and reliability.







10.4-inch  
second display

Color Black ▶

# Specification

Model Name		ToriPOS 815	ToriPOS 915
Main Board	CPU	Intel® Celeron G540 2.5GHz (2MB Cache) Intel Core i3-3220 3.3GHz (3MB Cache)	Intel® Core i5-3550S Quad-Core 3.0GHz (6MB Cache)
	Chipset	Intel® H61 Express	Intel® Q77 Express
	System Memory	1 x DDRIII 1066 DIMM, up to 8GB (G540) 1 x DDRIII 1600 DIMM, up to 8GB(Core i3)	1 x DDRIII 1600 DIMM, up to 8GB
Display	TFT LCD	15" LED Backlight	
	Brightness	250nits	
	Resolution	1024 x 768	
	Touch Screen	True Flat Projected Capacitive Technology	
Storage	HDD / SSD Type	1 x SATA 2.5" HDD or SSD	2 x SATA 2.5" HDD or SSD
	RAID Support	N/A	RAID 0 / RAID 1
I/O Ports -External	DC Power Input	1 x Mini Din 4 pin for single DC 12V	
	Cash Drawer	1 x RJ-11 (Power Pin 12V)	
	Network (LAN)	1 x Gigabit Ethernet by RJ-45	
	USB Port	4 x USB 2.0	4 x USB 3.0
	Serial Port	3 x RS-232 w/ RI/5V/12V [COM1/2 : DB-9 male, COM3 : RJ-48]	
	Audio Port	1 x Line-out ; 1 x Mic-In	
	VGA Port	1 x DB-15 female VGA Port	
I/O Ports -Internal	Card Reader & iButton	COM5 : Internal Pin header	
	Audio	HD Audio, 2W Speaker x 2	
	Bus Expansion	1 x Mini-PCI-E Slot	
Compliance	IP66 on front panel		
Intel® Active Management Technology	N/A		YES
OS Support	Windows 7, Windows POSReady, Windows XP, Ubuntu 12, Windows Embedded 8 Industry Pro compatible		
Power Supply	External adapter, 120 Watts, +12VDC 10A max.		External adapter 180 watts, +12VDC 15A max.
Material	Main Unit: Die-casting aluminum ; I/O Cover:Plastic		
Color	Main Unit: White / Black		
Certifications	CE, FCC, RoHS		
Dimension ( W x H x D )	375 x 322 x 259 mm		
Weight	7.1 Kg		
Operating Temperature	0°C ~ 40°C, 10% ~ 90% RH, non-condensing		
Storage Temperature	-20°C ~ 60°C, 10% ~ 90% RH, non-condensing		

\*The right has been reserved to change the specification without prior notice.

## Ordering Information

ToriPOS 815:

- ToriPOS 815-G540 : ToriPOS 815 with Intel G540 2.5GHz CPU
- ToriPOS 815-i3 : ToriPOS 815 with Intel Core i3-3220 3.3GHz CPU

ToriPOS 915:

- ToriPOS 915-i5 : ToriPOS 915 with Intel Core i5-3550S 3.0GHz CPU (Supports Intel AMT, KVM\*)

\*KVM being an abbreviation for "Keyboard, video and mouse"

## Optional Accessories

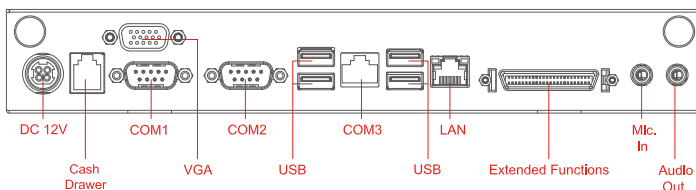
Peripherals:

- MSR : Front, 3 Tracks (RS-232 or PS/2)
- MSR & iButton: MSR & iButton (RS-232 or PS/2)
- RFID 13.56MHz(USB)
- Fingerprint reader(USB)
- Smart card reader(USB)

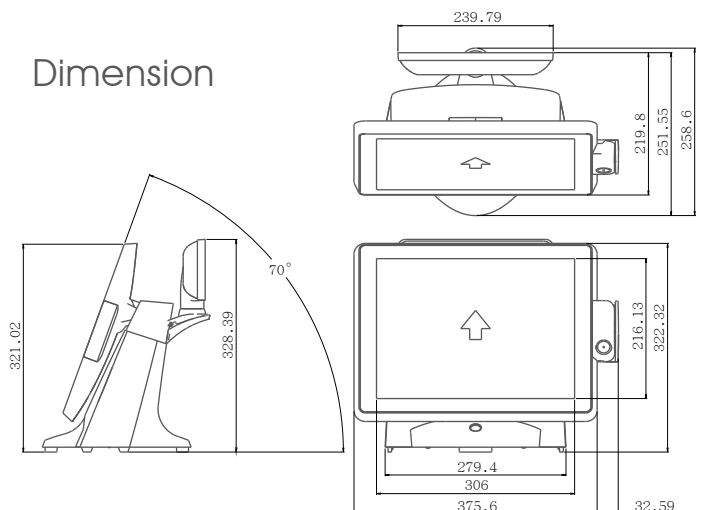
2nd Display:

- 2 lines x 20 chart VFD
- 10.4" TFT LCD display, Resolution: 800 x 600

## IO interface



## Dimension



## ToriPOS



w w w . p o i n d u s . c o m

**Poindus**

**Poindus Systems Corp.**

5F., No. 59, Lane. 77, Xing-Ai Rd., Neihu Dist.,  
Taipei City 114, Taiwan(R.O.C.)

Tel: +886-2-77214688 Fax: +886-2-77212289

Email: sales@poindus.com Web: www.poindus.com

