



**VOICE ALARM LOUDSPEAKER
FOR FIRE DETECTION AND ALARM SYSTEMS**

WWC6T/EN



The WWC6T series is a combination of modern design, high quality sound performance, and an ideal voice alarm speaker for fire alarm and detection systems. It contains one 3,5" speaker driver with 1 x 6W transformer.



**EN54-24:2008
0359-CPR-00607
TYPE A**

● Standard	Compliant to EN54-24 Compliant to BS 5839:8
● Electrical	
Rated power, watts	6
Tappings 100 volt line, watts	6/3/1.5/0.75/0.25
Transformer Impedance, ohms 100V	1.67k/3.33k/6.66k/13.3k/40k
Tappings 70.7 volt line, watts	3/1.5/0.75/0.375/0.125
Driver impedance, ohms	8
Effective Frequency Range, Hz (BSEN60268-5)	180-18,500
S.P.L. @ 1m, 1watt, dB, Octave, 100-10KHz	94
S.P.L. @ 1m, Full power, dB, Octave, 100-10KHz	102
Sensitivity @ 4m, 1watt, dB, 1/3 Octave, 100-10KHz	81
Sensitivity @ 4m, Full power, dB, 1/3 Octave, 100-10KHz	86
● Environmental	
IP-rating	21
Min/Max amb temp	-10°C to 55°C
Relative humidity	≤95%
● Mechanical	
Dimensions, Front & Depth, mm	255x196x82
Net weight, kg	1.95
Colour (Unless Specified)	RAL9016
Material	Wooden, White PVC Finish, Steel
Mounting	Wall Mounting
Safety	Ceramic Block Thermal Fuse



INSTALLATION GUIDE

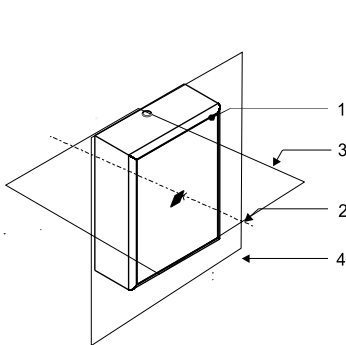
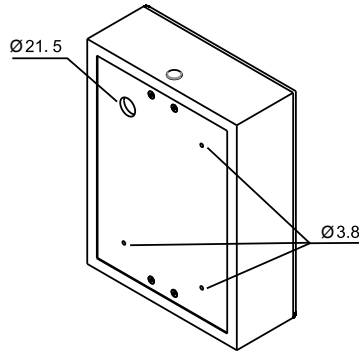
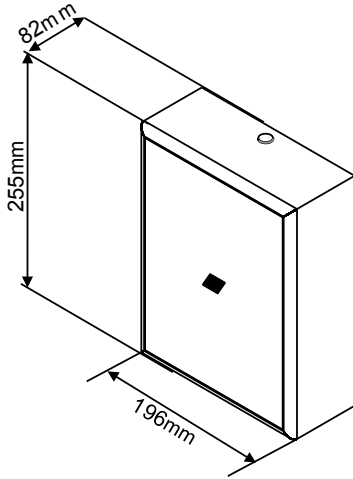
WWC6T/EN

EN54-24:2008 TYPE A 0359-CPR-00607

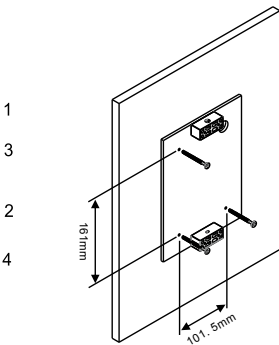
With Transformer:

100V/70V line

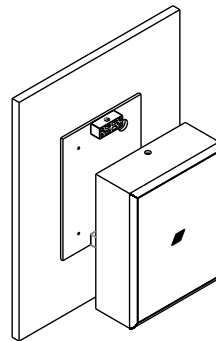
	White wire plus tapping					Black
	0.25W	0.75W	1.5W	3W	6W	COM
100V	0.25W	0.75W	1.5W	3W	6W	COM
70V	0.125W	0.375W	0.75W	1.5W	3W	COM
IMP.(Ω)	40k	13.3k	6.66k	3.33k	1.67k	



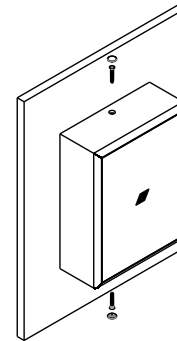
1. loudspeaker enclosure
2. reference axis
3. horizontal plane
4. reference plane



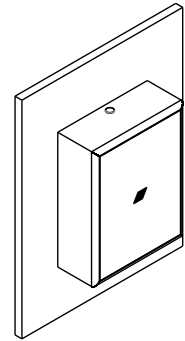
- 1) On selecting the chosen position for the loudspeaker (it can be mounted vertically or horizontally) use a spirit level to ensure that it is level. Offer the speaker to the wall or ceiling and mark through the mounting holes, as shown on the drawing to the top, the position required for drilling. Drill 3 holes according to the dimension on the draw.



- 2) Cabling can now take place, connect the 100 volt line supply to your required volume as shown on the circuit diagram.

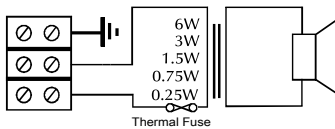


- 3) Align the holes on the wooden frame to the holes on the plastic blocks.



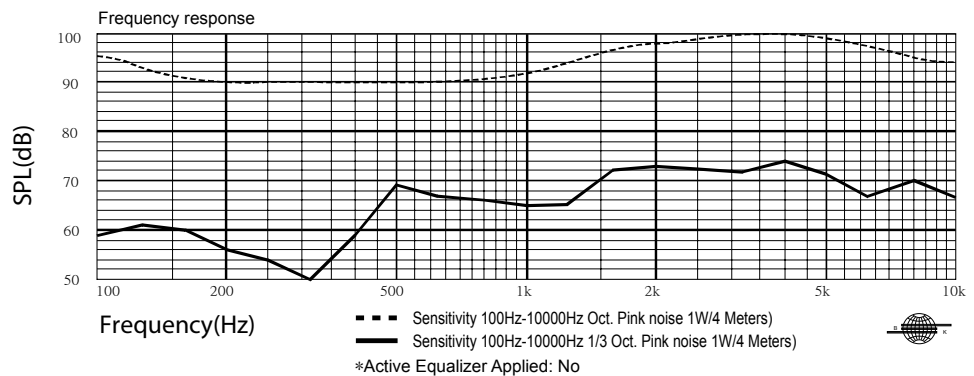
- 4) Lock the wooden frame and plastic block together with the screws in the speaker enclosure, and using the plastic caps to cover the screws.

Technical Specifications



Circuit Diagram

WWC6T/EN



Disclaimer: We reserve the right of changes and errors.

