



VANDALPROOF METAL CABINET LOUDSPEAKER

SENTRY6/STC

The SENTRY6/STC is a square, anti-vandal protected metal housing speaker, made of high-quality plastic coated quality steel. It contains a special chassis covering a wider frequency range, making it ideal for both good voice and high quality music reproduction.

The robust and aesthetic SENTRY 6/STC can work on both fixed ceilings as well as on walls, supplied with two pre-punched shots for cable glands. It offers the installer the opportunity of looping through and can thus save time and costs during assembly.

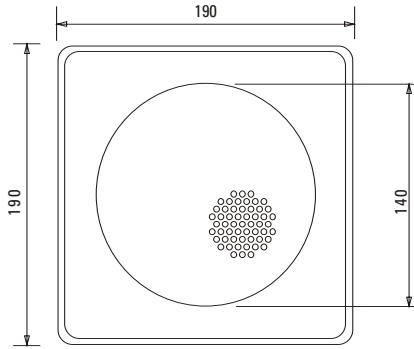


| | |
|---|--------------------------------|
| ● Standard | Compliant to BS 5839:8 |
| ● Electrical | |
| Rated power, Watts | 6 |
| Tappings 100 volt line, Watts | 6/3/1.5/0.75/ |
| Transformer Impedance, Ohms 100V | 1.67k/3.33k/6.66k/13.3k |
| Tappings 70.7 volt line, Watts | 3/1.5/0.75/0.375/0.125 |
| Driver impedance, Ohms | 8 |
| Effective Frequency Range, Hz (BSEN60268-5) | 180 - 18.000 |
| S.P.L. @ 1m, 1 watt, dB, Test Signal Bandwidth 100Hz-10 kHz | 93 |
| S.P.L. @ Full power Octave Bandwidth, dB | 99 |
| Acoustic Power (dB-PWL@1 watt) 1 k/2kHz, dB | 89/89 |
| Dispersion at 1k/2k Hz, Degrees | 170/120 |
| Directivity Axial Q factor, 1 k/2kHz | 4.8/6.3 |
| ● Environmental | |
| IP Rating | n/a |
| Min/Max amb temp | -10°C to 55°C |
| Relative Humidity | n/a |
| ● Mechanical | |
| Dimensions, front & depth, mm | 190x190x75 |
| Net weight, kg | 1.8 |
| Colour/Finish | White RAL9016 |
| Material | Steel Front, Die cast back box |
| Mounting | Screws |
| Safety | Ceramic Block Thermal Fuse |

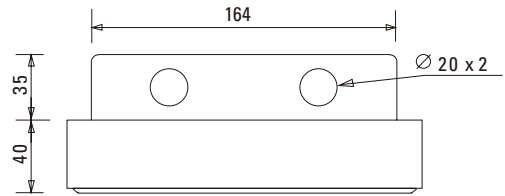
INSTALLATION GUIDE

SENTRY6/STC

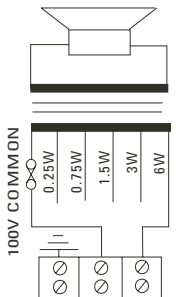
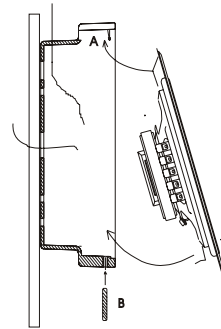
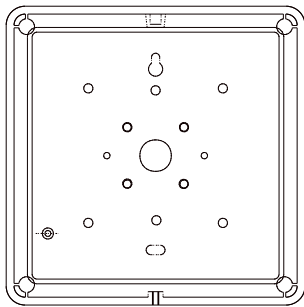
Front view
(unit: mm)



Top view
(unit: mm)

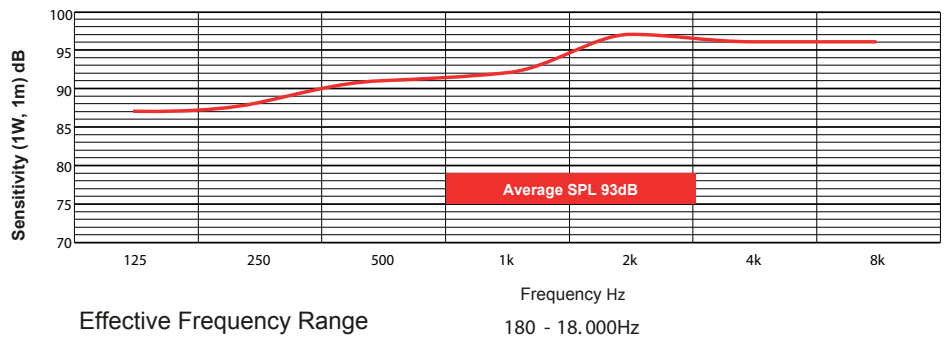


- 1) You can cable this unit via either the cable hole in the back of the unit or by using the 20mm cable entries at the top of the back box. Secure the back box to a flat surface using the fixing holes provided.
- 2) Once you have brought the cable through the back box terminate to the ceramic block and select the required power setting, See circuit diagram . Slot the speaker plate under the retaining lug "A" and locate speaker into the back box. Tighten the grub screw "B" to secure the unit in place.



Circuit Diagram

Frequency response



Disclaimer: We reserve the right of changes and errors.

