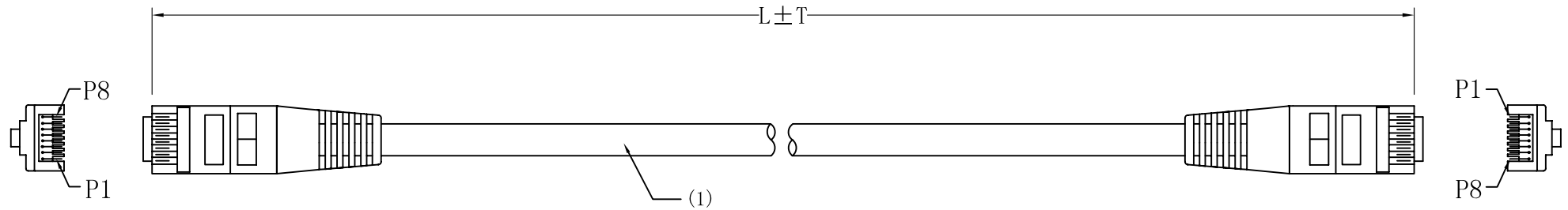
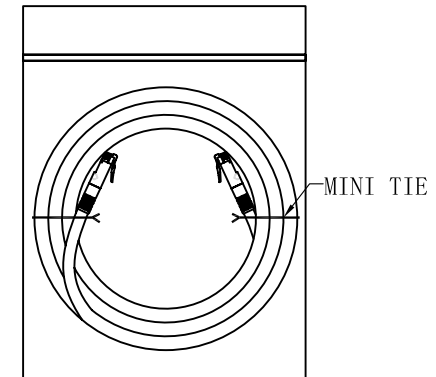
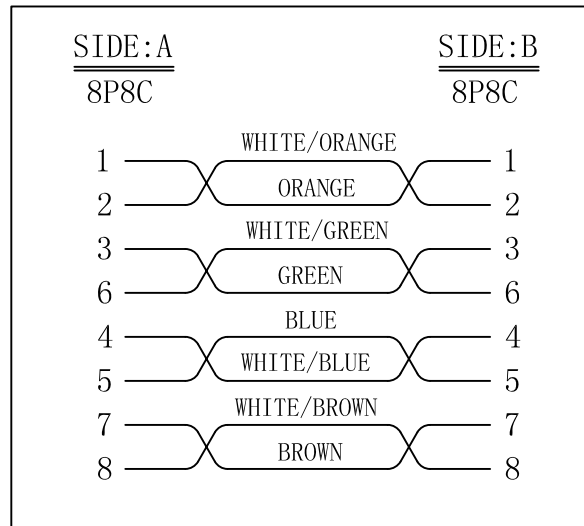
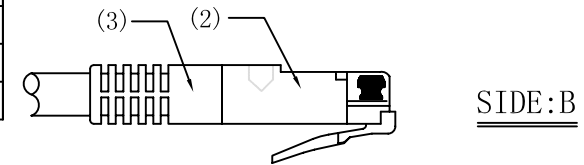
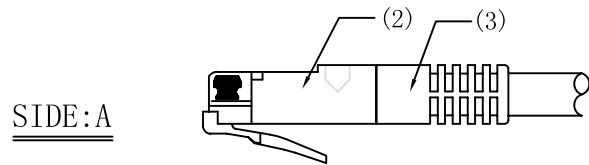


CUSTOMER	E E T
PRODUCT NO.	STP60** series



PRODUCT NO	STP6005	STP601	STP6015	STP602
$L \pm T$ (mm)	500 ± 5	1000 ± 10	1500 ± 15	2000 ± 20
PRODUCT NO	STP607	STP610	STP625	STP650
$L \pm T$ (mm)	7000 ± 70	10000 ± 100	25000 ± 250	50000 ± 500



NOTE:

- (1). Cable Wiring: CAT.6 STP Stranded [26AWG (7/0.16mmCu)*1P+A]*4C+ "—" Support
 Jacket Material: LSZH OD: 5.5 ± 0.15 mm
 Cable Colour: Grey
 Cable Printing: PATCH CORD CATEGORY 6FTP STRANDED 26AWG 4PAIRS
 ANSI/TIA/EIA 568B UL LISTED LSZH
- (2). Connector A&B: RJ45 (8P8C) Male Type
 Insulation: Clear Polyester
 Contacts: Brass, Gold Plated
 Shell: Cu, Nickel Plated
- (3). Over Mold: PVC, Grey
- (4). Parameter Settings: UT8080M
 1. Conductive Resistance: $1k \Omega$
 2. Insulative Resistance: $5M \Omega$
- (5). Packing: One Printed Polybag/1PC Packing+label

PIN OUT: (4)

PACKING: (5)