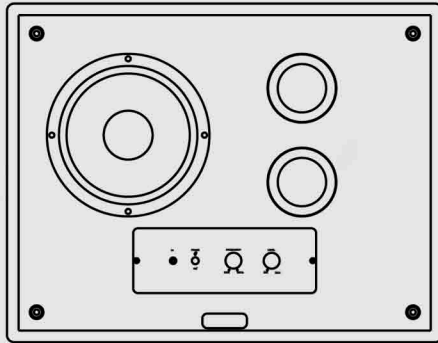


# LARQ DisplaySub 6

Product Information Sheet

Unique solution for on wall/ceiling mount. DisplaySub 6 is perfect match for all our DisplaySpeaker models. Simple mounting, compact and nice design - and *high end* music reproduction.

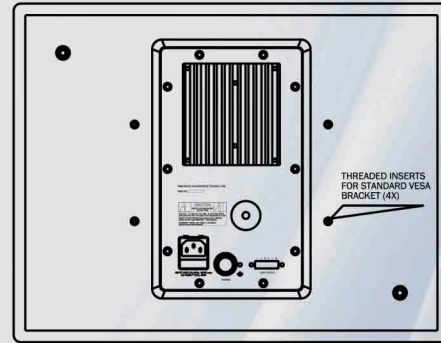
▼ FRONT VIEW WITHOUT GRILL



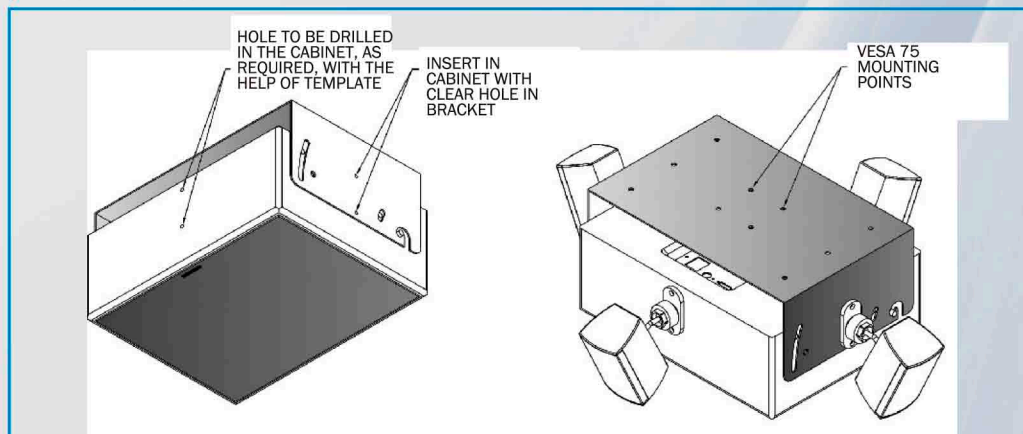
▼ SIDE VIEW



▼ REAR VIEW



▼ MOUNTING DIAGRAM



DESCRIPTION	Wall-mounting subwoofer
FREQUENCY RESPONSE (-6 dB)	42 Hz ~ Crossover Frequency
USEABLE FREQUENCY RESPONSE (-10 dB)	38 Hz
TRANSDUCER COMPLEMENTS	1 x 6" high- excursion subwoofer
MAXIMUM SPL	107dB
AMPLIFIER POWER	80 Watt
AMPLIFIER TYPE	Class AB
AMPLIFIER THD	0.1% at rated power
INPUT LEVEL FOR RATED POWER	0 dBu (0.775V) at 80 Hz (freq. at mid and level control at max)
FRONT PANEL CONTROLS	Level control, crossover frequency control, Polarity switch
INPUT	Left and right line level, with link, through Euroblock connector
ENCLOSURE TYPE	Vented, through front-firing aerodynamic ports
ENCLOSURE MATERIAL	15 mm MDF
ENCLOSURE VOLUME	18 litre
FINISH	Black or white painted
POWER SOURCE	230V AC, 50Hz, via fused IEC inlet
POWER CONSUMPTION	130 VA at rated power
DIMENSION (HxWxD) mm	350 x 450 x 168 (without bracket)
MOUNTING OPTION	4 x threaded inserts for standard VESA bracket