

HYPERION ONE PoE

INFRARED LED ILLUMINATOR



Energy Saving



Wall/Housing
mount bracket



Water Proof



No External
PSU



Maintenance
Free



Day/Night
Switch

HIGH PERFORMANCE

The ultimate LED technology ensures great image quality, outstanding reliability and low power consumption.

POWER OVER ETHERNET

Integrated PoE splitter, for a quick and easy link to the Ethernet network via RJ45 connector. IEEE 802.3af compliant.

WIDE RANGE OF MODELS

Two different power versions (S and M) and a choice of 5 beam angles, including a new elliptical lens for an even illumination.

SMART DESIGN

The compact moulded aluminium body allows an optimal heat dissipation and maximum LEDs durability.



tekno system[®]
Italian design for CCTV since 1979

Tekno System S.p.A.
Via Rostoncello, 1 - 36010 Carrè - Italy
Phone: +39 0445 314324 | Fax: +39 0445 314319
Email: info@tekno-system.eu | Web: www.tekno-system.eu

rev. 280815

Page 1 / 3

MODELS



ORDER CODE	Beam Angle	Max Distance*	Integrated Power Supply
------------	------------	---------------	-------------------------

SHORT	HYP1 15 S PoE	15°	75 m	PoE
	HYP1 30 S PoE	30°	55 m	PoE
	HYP1 60 S PoE	60°	35 m	PoE
	HYP1 120 S PoE	120°	18 m	PoE
	HYP1 43x8 S PoE	43°x8°	55 m	PoE

MEDIUM	HYP1 15 M PoE	15°	150 m	PoE
	HYP1 30 M PoE	30°	100 m	PoE
	HYP1 60 M PoE	60°	70 m	PoE
	HYP1 120 M PoE	120°	35 m	PoE
	HYP1 43x8 M PoE	43°x8°	100 m	PoE

*The maximum distance has been verified using a camera with a Sony Ex-View 1/3" CCD sensor and F:13 lens opening. The achievable distances can change according to the used camera sensor, its resolution, lens luminosity and the reflection factor of the lightened area. Please contact Tekno System to identify the most suitable models for your needs.

ACCESSORIES

BWHYP1	Optional Wall Bracket for HYPERION ONE	
BWRHYP1	Hyperion One Adapter for LINEA R Camera Housing	

RELATED PRODUCTS

PA/1*	Pole mount adapter for one bracket	
PA/2*	Pole mount adapter for two brackets	
CM*	Corner mount adapter	

* For pole or corner mount installations, the models with elliptical lens 43°x8° need the optional adapter BWHYP1.



tekno system[®]
Italian design for CCTV since 1979

Tekno System S.p.A.
Via Rostoncello, 1 - 36010 Carrè - Italy
Phone: +39 0445 314324 | Fax: +39 0445 314319
Email: info@tekno-system.eu | Web: www.tekno-system.eu

rev. 280815

Page 2 / 3

TECHNICAL DATA

GENERAL

- Wavelength: 850nm semi-covert
- High efficiency SMT LEDs
- LED MTBF: 50.000 hours
- Polycarbonate optical beam collimator
- Aluminium die cast molding and technopolymers
- Radiant body for optimal thermal yield
- Wall / housing bracket included

ELECTRICAL

- Integrated power supply: PoE (IEEE 802.3af compliant)
- Adjustable photocell circuit included

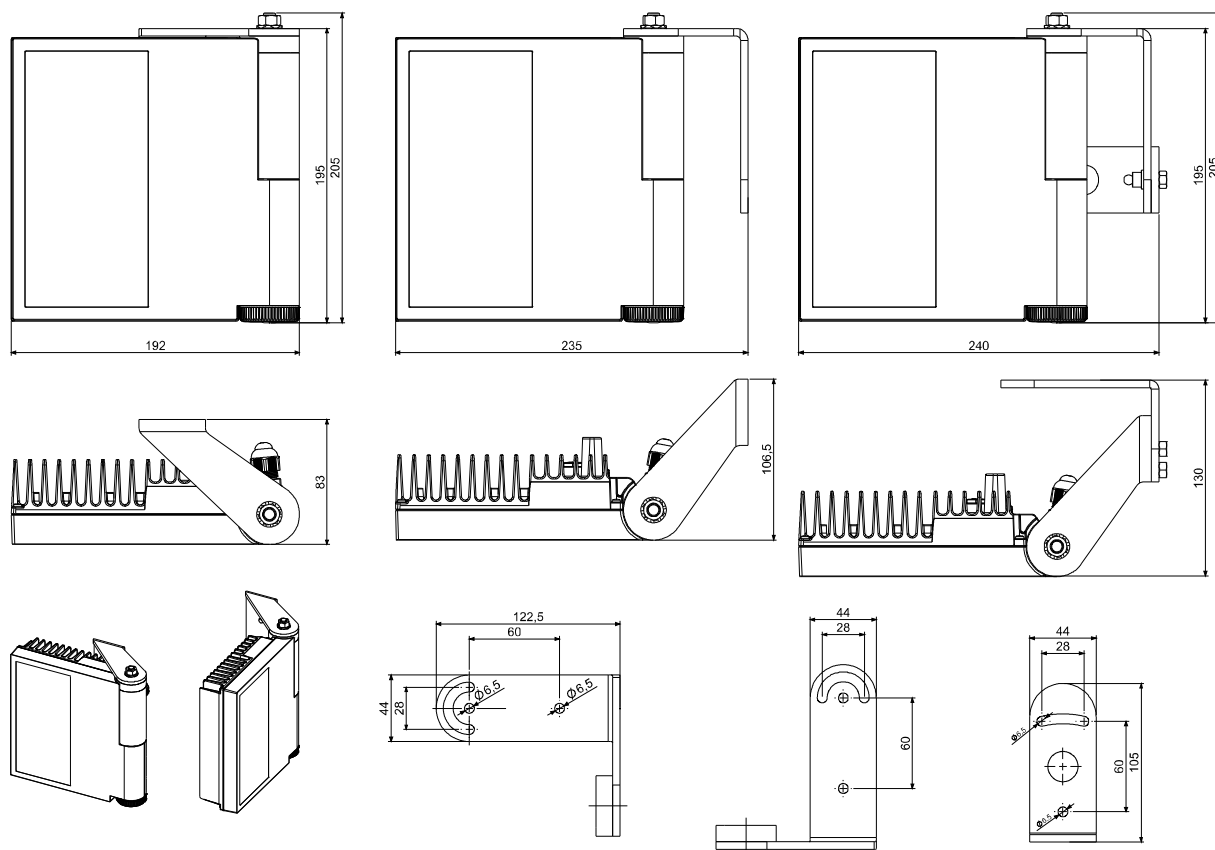
MECHANICAL

- Dimensions: 192 x 195 x 83 mm
- Weight: 2,3 Kg
- Adjustable angle: No
- Beam pattern: see table
- 1 power cable (2 m; pre-wired)
- Sealed RJ45 male and female connectors

ENVIRONMENTAL

- Indoor / Outdoor applications
- IP66 and IP67 weatherproof rating (EN60529)
- Temperature range: -50 °C to 50 °C
- RoHS compliant
- CE

DIMENSIONS



tekno system[®]
Italian design for CCTV since 1979

Tekno System S.p.A.
Via Rostoncello, 1 - 36010 Carrè - Italy
Phone: +39 0445 314324 | Fax: +39 0445 314319
Email: info@tekno-system.eu | Web: www.tekno-system.eu

rev. 280815

Page 3 / 3