

HYPERION ONE

INFRARED LED ILLUMINATOR



Energy Saving



Wall/Housing
mount bracket



Water Proof
IP66
IP67



No External
PSU



Maintenance
Free



Day/Night
Switch

HIGH PERFORMANCE

The ultimate LED technology ensures great image quality, outstanding reliability and low power consumption.

NEW ELLIPTICAL LENS

In addition to the 4 classic beam angles, the new 43°x8° lens delivers a uniform light for a more effective illumination.

3 DIFFERENT VERSIONS

S (Short), M (Medium) and the flagship L (Long) series, able to illuminate up to 210meters. Also available in low voltage.

PLUG & PLAY

The integrated power supply unit makes the installation user-friendly, with no need of an external box.



tekno system[®]

Italian design for CCTV since 1979

Tekno System S.p.A.

Via Rostoncello, 1 - 36010 Carrè - Italy

Phone: +39 0445 314324 | Fax: +39 0445 314319

Email: info@teknoystem.eu | Web:

www.teknoystem.eu

rev. 280815

Page 1 / 4

MODELS

| ORDER CODE | Beam Angle | Max Distance* | Integrated Power Supply |
|------------|------------|---------------|-------------------------|
|------------|------------|---------------|-------------------------|

| SHORT | HYP1 15 S | 15° | 140 m | 100-240VAC |
|-------|-------------|--------|-------|------------|
| | HYP1 30 S | 30° | 65 m | 100-240VAC |
| | HYP1 60 S | 60° | 40 m | 100-240VAC |
| | HYP1 120 S | 120° | 20 m | 100-240VAC |
| | HYP1 43x8 S | 43°x8° | 65 m | 100-240VAC |

| MEDIUM | HYP1 15 M | 15° | 170 m | 100-240VAC |
|--------|-------------|--------|-------|------------|
| | HYP1 30 M | 30° | 120 m | 100-240VAC |
| | HYP1 60 M | 60° | 80 m | 100-240VAC |
| | HYP1 120 M | 120° | 40 m | 100-240VAC |
| | HYP1 43x8 M | 43°x8° | 120 m | 100-240VAC |

| LONG | HYP1 15 L | 15° | 210 m | 100-240VAC |
|------|-------------|--------|-------|------------|
| | HYP1 30 L | 30° | 160 m | 100-240VAC |
| | HYP1 60 L | 60° | 110 m | 100-240VAC |
| | HYP1 120 L | 120° | 60 m | 100-240VAC |
| | HYP1 43x8 L | 43°x8° | 160 m | 100-240VAC |

LOW VOLTAGE

| SHORT | HYP1 15 S LV | 15° | 140 m | 24VAC/DC |
|-------|----------------|--------|-------|----------|
| | HYP1 30 S LV | 30° | 65 m | 24VAC/DC |
| | HYP1 60 S LV | 60° | 40 m | 24VAC/DC |
| | HYP1 120 S LV | 120° | 20 m | 24VAC/DC |
| | HYP1 43x8 S LV | 43°x8° | 65 m | 24VAC/DC |

| MEDIUM | HYP1 15 M LV | 15° | 170 m | 24VAC/DC |
|--------|----------------|--------|-------|----------|
| | HYP1 30 M LV | 30° | 120 m | 24VAC/DC |
| | HYP1 60 M LV | 60° | 80 m | 24VAC/DC |
| | HYP1 120 M LV | 120° | 40 m | 24VAC/DC |
| | HYP1 43x8 M LV | 43°x8° | 120 m | 24VAC/DC |

| LONG | HYP1 15 L LV | 15° | 210 m | 24VAC |
|------|----------------|--------|-------|-------|
| | HYP1 30 L LV | 30° | 160 m | 24VAC |
| | HYP1 60 L LV | 60° | 110 m | 24VAC |
| | HYP1 120 L LV | 120° | 60 m | 24VAC |
| | HYP1 43x8 L LV | 43°x8° | 160 m | 24VAC |

* The maximum distance has been verified using a camera with a Sony Ex-View 1/3" CCD sensor and F:13 lens opening. The achievable distances can change according to the used camera sensor, its resolution, lens luminosity and the reflection factor of the lightened area. Please contact Tekno System to identify the most suitable models for your needs.





tekno system[®]
Italian design for CCTV since 1979

Tekno System S.p.A.
Via Rostoncello, 1 - 36010 Carrè - Italy
Phone: +39 0445 314324 | Fax: +39 0445 314319
Email: info@teknoystem.eu | Web:
www.teknoystem.eu




rev. 280815

Page 2 / 4

ACCESSORIES

| | | |
|----------------|---|---|
| BWHYP1 | Optional Wall Bracket for HYPERION ONE |  |
| BWRHYP1 | Hyperion One Adapter for LINEA R Camera Housing |  |

RELATED PRODUCTS

| | | |
|--------------|-------------------------------------|---|
| PA/1* | Pole mount adapter for one bracket |  |
| PA/2* | Pole mount adapter for two brackets |  |
| CM* | Corner mount adapter |  |

* For pole or corner mount installations, the models with elliptical lens 43°x8° need the optional adapter BWHYP1.

TECHNICAL DATA

| | |
|--|---|
| <p>GENERAL</p> <ul style="list-style-type: none"> • Wavelength: 850nm semi-covert • High efficiency SMT LEDs • LED MTBF: 50.000 hours • Polycarbonate optical beam collimator • Aluminium die cast molding and technopolymers • Radiant body for optimal thermal yield • Wall / housing bracket included | <p>ELECTRICAL</p> <ul style="list-style-type: none"> • Integrated power supply: 100-240VAC • Low Voltage: 24VAC/VDC (S, M versions) 24VAC (L version) • Power: 8 W (S version) 16 W (M version) 24 W (L version) • Adjustable photocell circuit included |
| <p>MECHANICAL</p> <ul style="list-style-type: none"> • Dimensions: 192 x 195 x 83 mm • Weight: 2,3 Kg • Adjustable angle: No • Beam pattern: see table • 1 power cable (2 m; pre-wired) | <p>ENVIRONMENTAL</p> <ul style="list-style-type: none"> • Indoor / Outdoor applications • IP66 and IP67 weatherproof rating (EN60529) • Temperature range : -50 °C to 50 °C • RoHS compliant • CE |

Technical data and product features might be modified without any warning.



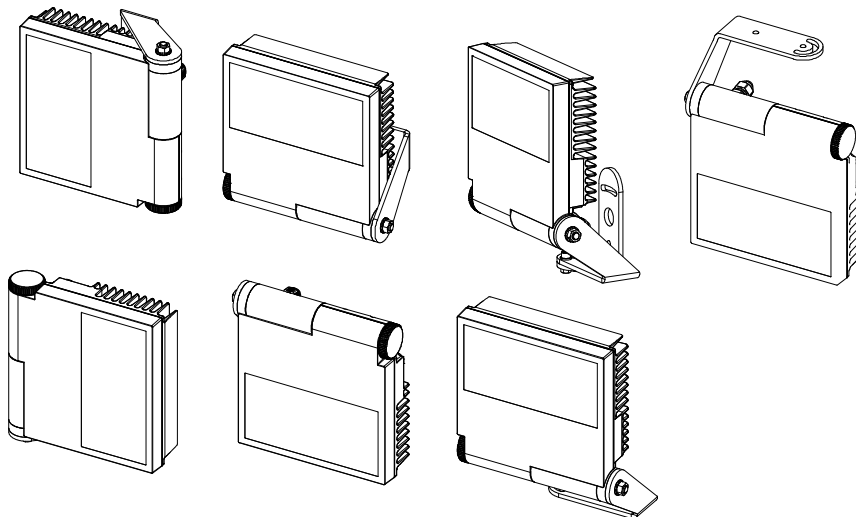
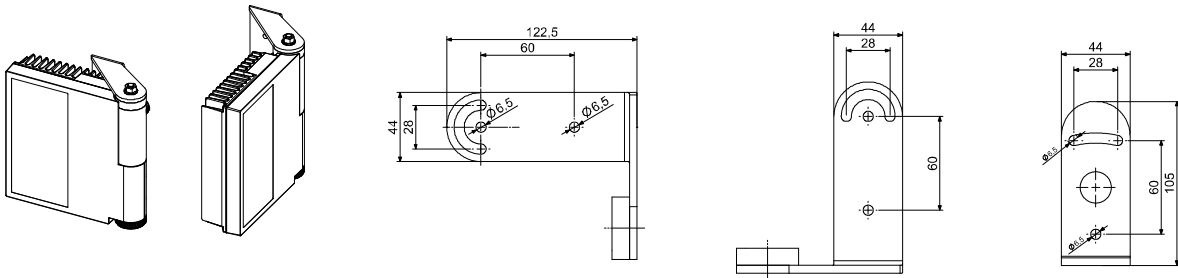
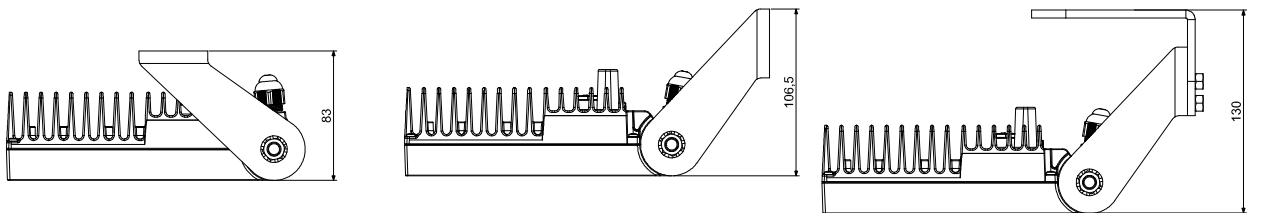
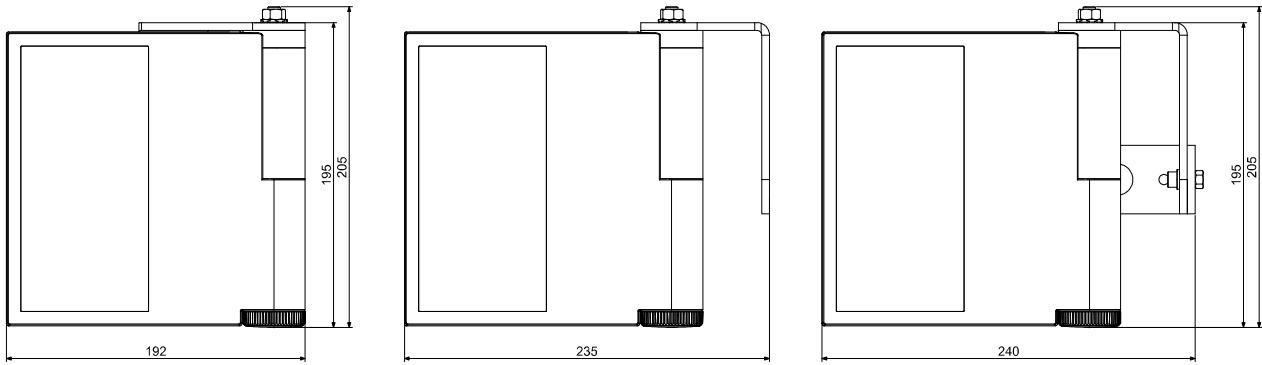
tekno system[®]
Italian design for CCTV since 1979

Tekno System S.p.A.
Via Rostoncello, 1 - 36010 Carrè – Italy
Phone: +39 0445 314324 | Fax: +39 0445 314319
Email: info@teknoystem.eu | Web:
www.teknoystem.eu

rev. 280815

Page 3 / 4

DIMENSIONS



tekno system[®]
Italian design for CCTV since 1979

Tekno System S.p.A.
Via Rostoncello, 1 - 36010 Carrè - Italy
Phone: +39 0445 314324 | Fax: +39 0445 314319
Email: info@teknoystem.eu | Web: www.teknoystem.eu

rev. 280815

Page 4 / 4