

DS-9000AI-S16-D Series All-in-One Server



Features and Functions

Professional and Reliable

- New logical and visualized GUI design.
- Integrates with multiple technologies, including encoding and decoding technology, embedded technology, storage technology, network technology, etc.
- Ubuntu Linux is the default operation system. Supports installing Microsoft Window operation system including Windows 7E, Windows 10, and Windows Server 2012 R2.
- Redundant power supply is provided to improve the system stability.
- Adopts ANR technology to enhance the storage reliability when the network disconnected.

Video Input and Transmission

- Up to 128 HD (High-Definition) IP cameras can be connected.

Compression and Recording

- H.265+ compression effectively reduces the storage space by up to 75%.
- Connectable to the third-party network cameras like ACTI, Arecont, AXIS, Bosch, Brickcom, Canon, ONVIF, PANASONIC, Pelco, SAMSUNG, SANYO, SONY, Vivotek, and ZAVIO.

HD Video Output

- Supports live view, storage, and playback of the connected camera at up to 12 megapixels resolution.
- Simultaneous HDMI 1/VGA output as the main output and the HDMI 2 works as the auxiliary output.
- HDMI and VGA1 simultaneous outputs by default. Asynchronous outputs configurable.

Storage and Playback

- Up to 16 SATA interfaces and 1 eSATA interface provided for HDD connection.
- 10 TB capacity for each HDD.
- Supports HDD hot swapping with RAID0, RAID1, RAID5, RAID 6, and RAID10 storage scheme configurable.
- Hot spare working mode is provided to constitute an N+1 hot spare system.
- HDD data smart release when disk is full to extend the storage period.
- HDD health monitoring.
- Normal/Important/Custom video playback.
- Important files management.
- Video synopsis playback.

Smart Function

- Connectable to smart IP camera.
- 14 types of VCA detection: line crossing detection, region entrance detection, region exiting detection, intrusion detection, people gathering detection, fast moving detection, parking detection, unattended baggage detection, object removal detection, audio input exception detection, sudden change of sound detection, defocus detection, and sudden scene change detection.
- Supports searching, playing back, and backing up VCA alarms.

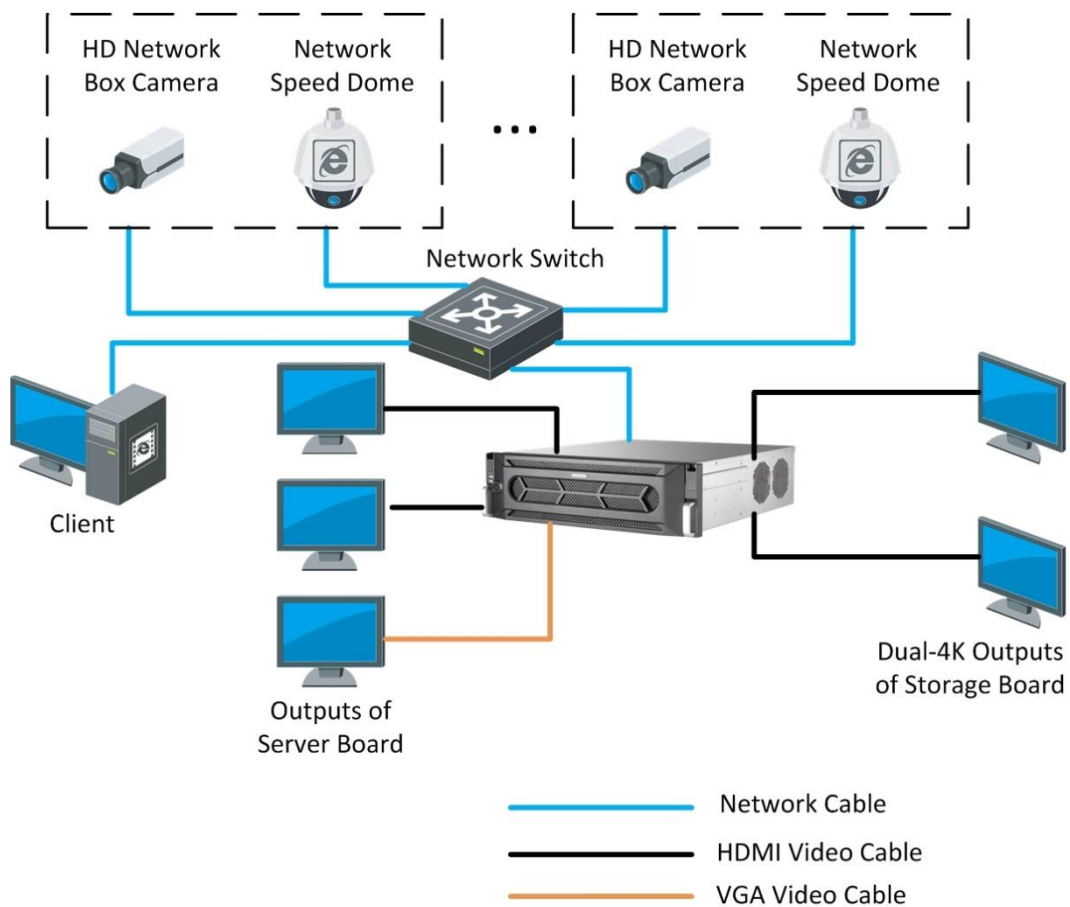


Specifications

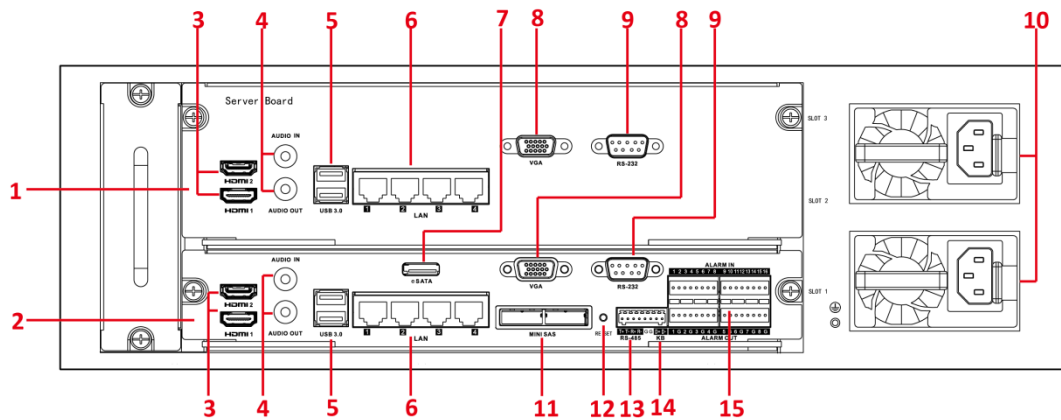
Model		DS-9000AI-S16-D	
Hardware	Structure	Pluggable HDD trays with no-cable design and dual-board structure (server board and storage board) realize effective task and storage management.	
	Chassis	3U chassis of thick galvanized steel	
	Dimensions (W × D × H)	487 × 560 × 133 mm (19.2 × 22.0 × 5.2 inch)	
	Bezel	Frosted aluminum alloy bezel. Hot swapping.	
	Multi-functional mounting ears	Integrates status indicators, functional buttons, USB interfaces, and handles. Supports one-key muting.	
	Fan	Redundant dual-ball bearing fan. Hot swapping and smart speed adjusting.	
	Power supply	Redundant power supply module meets the Intel CRPS (Common Redundant Power Supply) standard. 100 to 240 VAC wide-range power input	
	Guide rail	External guide rail for installing device into a rack	
Server board	Processor	Quad-Core Intel® Xeon® Processor E3 V5 Series	
	Memory	8GB DDR4. ECC parity. Extendable up to 64 GB	
	Video card	Intel® HD Graphics P530	
	System disk	Industrial-level SSD with 128 GB capacity	
	Operation system	Ubuntu Linux is installed by default. Microsoft Windows, including Windows 7E, Windows 10, and Windows Server 2012 R2 can be installed	
	Video output	2 × HDMI interface with resolution up to 4K; 1 × VGA interface with resolution up to 1080p HDMI 1 and VGA simultaneous output mode is enabled by default.	
	LAN	4 × RJ45 10M/100M/1000M self-adaptive Ethernet interface	
	USB interface	Front panel: 2 × USB 2.0; Rear panel: 2 × USB 3.0	
	Audio input/output	2 × RCA interface. One for audio input and one for audio output	
	SATA interface	Four 2.5-inch HDDs are connectable	
Storage board	Processor	Dual-Core Intel Processor	
	Operation system	Embedded Linux	
	Audio/video management	IPC video input	128-ch
		Incoming/outgoing bandwidth	576/512Mbps
	Audio/video interface	HDMI interface	Two independent HDMI outputs, resolution: 4K (4096x2160), 4K (3840x2160)/30Hz, 2K (2560x1440)/60Hz, 1080p (1920x1080)/60Hz, UXGA (1600x1200)/60Hz, SXGA (1280x1024)/60Hz, 720p (1280x720)/60Hz, XGA (1024x768)/60Hz
		VGA interface	1-ch, resolution: 1080p (1920x1080)/60Hz, UXGA (1600x1200)/60Hz, SXGA (1280x1024)/60Hz, 720p (1280x 720)/60Hz, XGA (1024x768)/60Hz
		Audio output	1-ch, RCA (2.0 Vp-p, 1 KΩ)
		Two-way audio input	1-ch, RCA (2.0Vp-p, 1KΩ)
	Audio/video decoding	Decoding format	H.265, H.265+, H.264, H.264+,MPEG4, MJPEG (for Hikvision IP camera only)
		Video resolution	12MP/8MP/7MP/6MP/5MP/3MP/1080p/UXGA/720p/VGA/4CIF/DCIF/2CIF/CIF/QCIF
Synchronous playback		16-ch	
Capability		H.264, H.264+, H.265, and H.265+ stream: 20@1080p; MPEG4 and MJPEG: 10@1080p	

Storage board	HDD management	SATA interface	16 3.5-inch HDDs are connectable. Hot swapping
		Capacity	Up to 10 TB for each HDD
		Installation	Pluggable HDD tray. Hot swapping
		RAID	RAID 0, RAID 1, RAID 5, RAID 6, RAID 10
		Storage extension interface	1 × eSATA interface 2 × mini SAS interface (optional)
	Other interface	Network interface	4 × RJ45 10M/100M/1000M self-adaptive Ethernet interface
		Serial port	1 × RS-485 (full-duplex) 1 × Keyboard 1 × RS-232
		USB interface	Rear panel: 2 × USB 3.0
		Alarm input/output	16/8
Other parameter	Consumption (without HDD)	≤ 350 W	
	Working temperature	0 °C to +50 °C (+32 °F to +122 °F)	
	Working humidity	10% to 90% RH (no freezing and no condensation)	
	Storage temperature	-10 °C to +70 °C (+14 °F to +158 °F)	
	Storage humidity	5% to 90% RH (no freezing and no condensation)	
	Weight (without HDD)	≤ 20 Kg (44.1 lb)	

Typical Application



Physical Interfaces



No.	Name	No.	Name
1	Server board	9	RS-232 interface
2	Storage board	10	Power supply module
3	HDMI video output	11	Mini SAS interface (optional)
4	Audio input/output	12	Reset button
5	USB 3.0 interface	13	RS-485 interface
6	Network interface	14	Keyboard interface
7	eSATA interface	15	Alarm input/output
8	VGA video output		

Available Model

DS-9000AI-S16-D

Distributed by



HIKVISION®

Headquarters

No.555 Qianmo Road, Binjiang District,
Hangzhou 310051, China
T +86-571-8807-5998
overseasbusiness@hikvision.com

Hikvision USA
T +1-909-895-0400
sales.usa@hikvision.com

Hikvision Italy
T +39-0438-6902
info.it@hikvision.com

Hikvision Singapore
T +65-6684-4718
sg@hikvision.com

Hikvision Africa
T +27 (10) 0351172
sale.africa@hikvision.com

Hikvision Europe
T +31-23-55-42-770
info.eu@hikvision.com

Hikvision France
T +33(0)1-85-330-450
info.fr@hikvision.com

Hikvision Oceania
T +61-2-8599-4233
salesau@hikvision.com

Hikvision Hong Kong
T +852-2151-1761

Hikvision Middle East
T +971-4-8816086
salesme@hikvision.com

Hikvision Spain
T +34-91-737-16-55
info.es@hikvision.com

Hikvision Canada
T +1-909-895-0400
sales.usa@hikvision.com

Hikvision Russia
T +7-495-669-67-99
saleru@hikvision.com

Hikvision Poland
T +48-22-460-01-50
poland@hikvision.com

Hikvision Korea
T +82-31-731-8841
sales.korea@hikvision.com

Hikvision India
T +91-22-28469900
sales@pramahikvision.com

Hikvision UK
T +01628-902140
support.uk@hikvision.com

Hikvision Brazil
T +55 11 3318-0050
Latam.support@hikvision.com