

GPCM Series
Projector Mounting Bracket

GPCM-D3040
GPCM-D4060

GPCM-E3540
GPCM-E4560



*Applicable distance of projector holes:
Model D: 40~310mm
Model E: 45~345mm
*The length of mounting bracket:
300~400mm (GPCM-D3040)
400~600mm (GPCM-D4060)
350~400mm (GPCM-E3540)
450~600mm (GPCM-E4560)
*Maximum weight: 20Kg

Features:
*Wires collection
*Adjustable main bar
*Horizontal angle: ±8°
*Vertical angle: ±15°
*Horizontal rotation adjustment: 360° (Only for Model E)

GPCN Series
Projector Mounting Bracket

GPCN-D200
GPCN-D3040
GPCN-D4060

GPCN-E200
GPCN-E3540
GPCN-E4560



*Applicable distance of projector holes:
Model D: 40~310mm
Model E: 45~345mm
*The length of mounting bracket:
(D Model is the same with E Model)
250mm (GPCN-D200)
350~400mm (GPCN-D3540)
450~600mm (GPCN-D4560)
*Maximum weight: 10Kg

Features:
*Suitable for ceiling sloped angle less than 15°
*Wires collection
*Adjustable main bar (except for GPCN-E200)
*Horizontal angle: ±8°
*Vertical angle: ±15°
*Horizontal rotation adjustment: 360° (Only for Model E)

GPCP Series
Super Short-focus Projector Mounting Bracket

GPCP-D4060
GPCP-D6090
GPCP-D90150

GPCP-E4060
GPCP-E6090
GPCP-E90150



*The length of mounting bracket:
(Model D is the same with Model E)
420~600mm (GPCP-D4060)
620~900mm (GPCP-D6090)
920~1500mm (GPCP-D90150)
*Maximum weight:
(Model D is the same with Model E)
20Kg (GPCP-D4060)
20Kg (GPCP-D6090)
15Kg (GPCP-D90150)

Features:
*Suitable for ceiling sloped angle less than 15°
*Wires collection
*Adjustable main bar (except for GPCN-E200)
*Horizontal angle: ±8°
*Vertical angle: ±15°
*Horizontal rotation adjustment: 360° (Only for Model E)

GPCM-B Series

Projector Mounting Bracket
GPCM-B200
GPCM-B300
GPCM-B400



*Applicable distance of projector holes:
Length≤280mm, Width≤255mm
*The length of mounting bracket:
200/300/400mm
*Maximum weight: 25Kg

Features:
*Wires collection
*Adjustable main bar
*Adjustable angle:
Front and back direction:
forward 30°, backward 3°
Left and right direction: 3°
*Horizontal rotation adjustment: 360°

GPCM-C Series

Projector Mounting Bracket
GPCM-C200
GPCM-C300
GPCM-C400



*Applicable distance of projector holes:
1. Length≤205mm, Width≤160mm.
2. With omnipoten arm can extend to:
Length≤205mm, Width≤255mm
*The length of mounting bracket:
200/300/400mm
*Maximum weight: 25Kg

Features:
*Wires collection
*Adjustable main bar
*Adjustable angle:
Front and back direction:
forward 30°, backward 3°
Left and right direction: 3°
*Horizontal rotation adjustment: 360°

Model D Mounting Bracket



Model E Mounting Bracket



Horizontal rotation adjustment: 360°



PROJECTOR LIFT Series

Recessed-Ceiling Motorized Projector Lift
Projector Mounting Bracket

GPCK Series

Recessed-Ceiling Motorized Projector Lift

Flawless Design Easy Operation

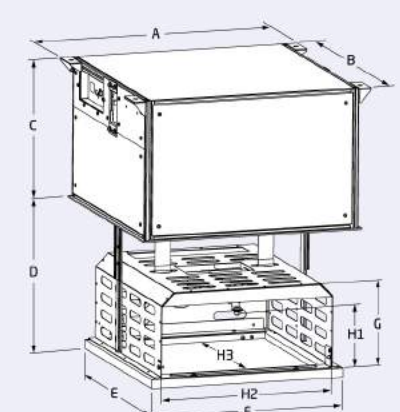
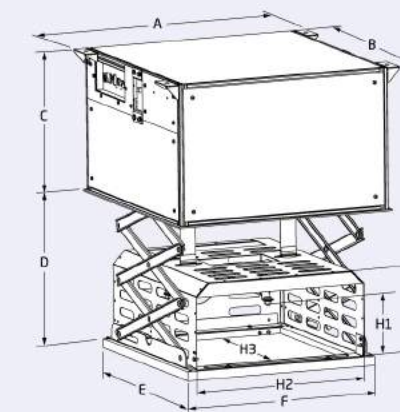
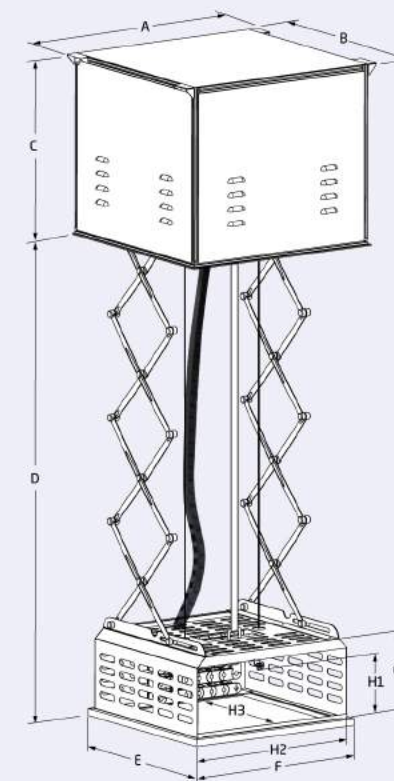
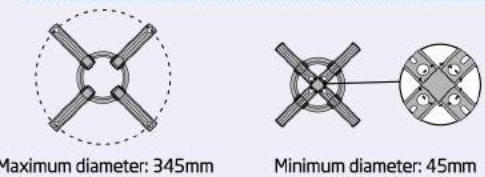
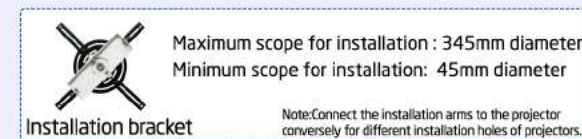
With engineering aesthetics design, GPCK Recessed-Ceiling Motorized Projector Lift can integrating into indoor decoration perfectly.

GPCK-MA Series

Recessed-Ceiling Series
Motorized Projector Lift(Sealed-in Unit)

Maximum Weight Capacity: 15Kg
Power: 170W
Voltage: 220V/50Hz
Wireless FM: 868MHz

Scope for installation (Installation hole of projector)



GPCK-MA Series

Recessed-Ceiling Series
Motorized Projector Lift

- GPCK-MA1600
- GPCK-MA1600L
- GPCK-MA2700
- GPCK-MA2700L
- GPCK-MA4600L

GPCK-MB(B) Series

Small Recessed-Ceiling Series
Motorized Projector Lift

- GPCK-MB1000B

- *Double Positioning
- *Automatic Balancing Mechanism
- *High-Strength Aluminum Linkage
- *Completed Protection
- *Ornament Baffle
- *Cable Management
- *Varied Control
- *Maximum Weight Capacity: 1.2kg

GPCK-MC Series

Small Recessed-Ceiling Series
Motorized Projector Lift

- GPCK-MC250

- *Double Positioning
- *Automatic Balancing Mechanism
- *High-Strength Aluminum Rail
- *Completed Protection
- *Ornament Baffle
- *Cable Management
- *Varied Control
- *Maximum Weight Capacity: 1.2kg

GPCK-MA Series 8 Features

1 Double Positioning System

Double Positioning System provides safety and convenience to users. The safety positioning of motor is set by factory, and the height of stopping can be adjusted automatically by electric positioning.



2 Automatic Balancing Mechanism

Automatic Balancing Mechanism ensures the dragline and suspending cage vertically when extending or retracting, avoid any digression or noise caused by the slant of the dragline.



3 Brake Mechanism

The Brake Mechanism is designed when the dragline is broken, the motor brake is out of control or the steel cable loose accidentally, the safety device will operate automatically and prevent the falling of case and improve the security in high-ceiling condition.



4 High-Strength Aluminum Linkage

High-Strength Aluminum Linkage is die-casting and with excellent texture, high-strength and rustproof, very light and it can reduce the lift-weight and keep the balance.



5 Completed Protection



6 Ornament Baffle

Completed Protection prevents the projection equipment against the impact of external environment, and avoid the leakage of the cool air.

7 Cable Management



8 Multi-Control Systems

Ornament Baffle matches perfectly with different types of ceiling, when extending the case, it may completely cover the hatch that occurs.

9 Cable Management



10 Multi-Control Systems

Cable Management, which is allocated for the users to put Power cord, VGA, RGB or HDMI cables inside, easily bend and stretch, customized size are available.

11 Multi-Control Systems



Multi-Control Systems are available (RF Remote Control, RS232/485, Wall-Switch)

Standard Accessories

- * FM wireless transmitter
- * Built-in VGA, Video wire

Control way

- * RF control
- * RS232/485 Central Control Adapter
- * In-Line switch adapter(optional)

GPCK series specification

Model	Dimension							Suitable projector sizes		
	A	B	C	D	E	F	G	H1	H2	H3
GPCK-MA1600	704	670	600	0~1600	586	586	250	180	530	470
GPCK-MA1600L	704	770	600	0~1600	686	586	270	200	530	570
GPCK-MA2700	704	670	685	0~2700	586	586	250	180	530	470
GPCK-MA2700L	704	770	685	0~2700	686	586	270	200	530	570
GPCK-MA4600L	744	744	800	0~4600	686	686	270	200	630	570
GPCK-MB1000B	600	550	345	0~930	483	483	200	147	400	400
GPCK-MC250	600	550	345	0~350	483	483	200	147	400	400

Limitation between Ceiling and beam should be larger than the minimum of C+D