

DAX

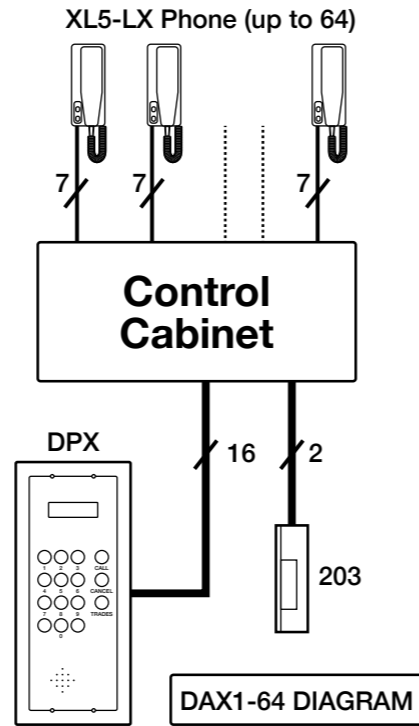
DAX digital isolating exchange door entry systems

The DAX digital system operates on the Line Isolation principle which has two advantages over common-wired systems;

- Any malicious damage sustained to an individual telephone or its associated cable will not affect the operation of the rest of the system
- The telephone conversation between the tenant and the caller is totally private

System features;

- Up to 256 flats
- Up to 4 entrances
- Large LED dot matrix display
- 4 digit alpha-numeric flat numbers
- 4 digit coded access facility
- Trades facility
- Porter facility (optional)
- Standby battery backup
- Outputs for fail-safe and fail-secure releases



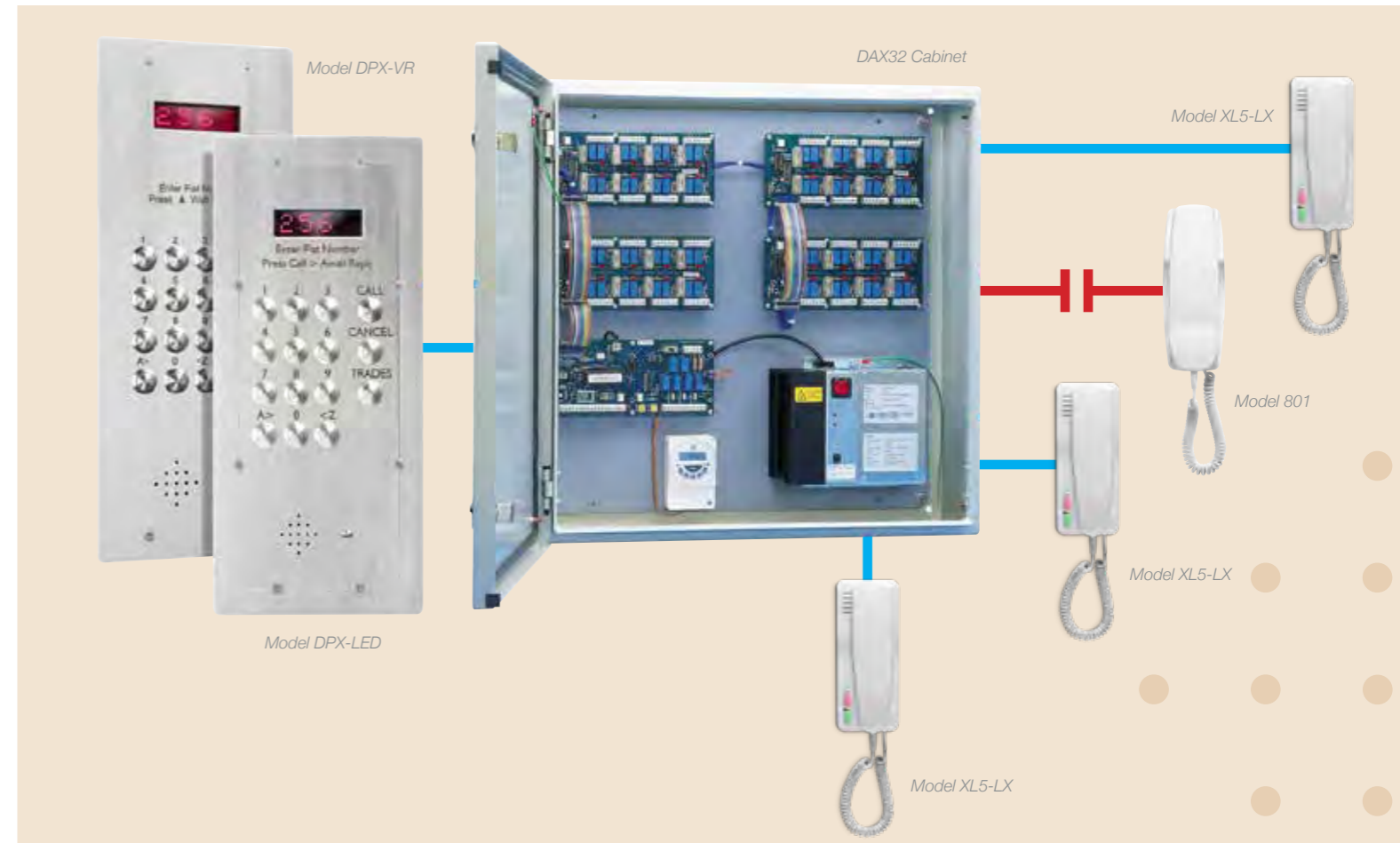
Model DAX exchange control

All the control equipment is installed in one or more IP55 rated secure lockable steel cabinets. Each control contains one or more of the following components;

- All necessary control equipment
- 8 way Relay PCB's for connection of telephones

- Model TS2000-BST 7 day quartz reserve Time Clock for trades access
- 12V DC 5A power supply with standby facility
- Optional 12V 7A/H lead-acid battery

The control has LED diagnostics and Test modes for commissioning and maintenance purposes.



Model DPX-LED Front Door Panel

The front-plate consists of an overlapping bezel and a removable plate cut by a laser from the same sheet of 2.5mm 316 marine grade stainless steel. This leaves a gap of just 0.35mm rejecting implements that could be used to force the panel from its box. The bezel is permanently secured to the back-box of 1.5mm 316 grade stainless steel. This provides an extremely strong fixing to the wall. The removable plate is fixed to the bezel and back box with countersunk A2 stainless steel security bolts requiring the use of a specialist tool for their removal (supplied).

The LED dot matrix display module offers excellent visibility with large red characters. A transparent LEXAN window gives maximum protection from vandals. Stainless steel vandal resistant push-buttons are used throughout. Clear operating instructions are engraved on the panel in black.

For economy, the standard Model DPX-VR can also be considered. Options can include cutouts for a Video camera and Proximity.

Telephones

Any of our standard telephones may be used with the DAX exchange. Each telephone connected to the DAX control will have 'privacy of speech' due to the line isolation. To achieve full isolation, each telephone station must be individually and directly cabled to the DAX control. However, the system is able to operate in partial isolation mode commonly referred as 'zone isolation' for more economic cable installation. The standard model 801 telephones can be used for economy but the model XL5-LX is highly recommended due to its added functions.