

BSX

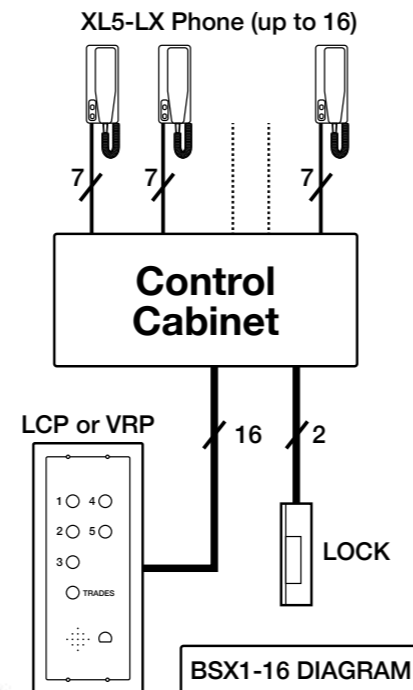
Isolating exchange door entry systems

The BSX and DAX door entry systems are designed to overcome a common problem experienced in local authority and public housing where door entry systems are subject to vandalism from visitors and tenants.

These systems operate on the Line Isolation principle which has two advantages over common-wired systems:

- Any malicious damage sustained to an individual telephone or its associated cable will not affect the operation of the rest of the system
- The telephone conversation between the tenant and the caller is totally private

Each system includes Tradesmen/Service entry, a battery standby facility and timed lock output (fail-safe and fail-secure) as standard. The central exchange unit with diagnostic LED's simplifies maintenance and any part is easily exchanged with readily available spares.



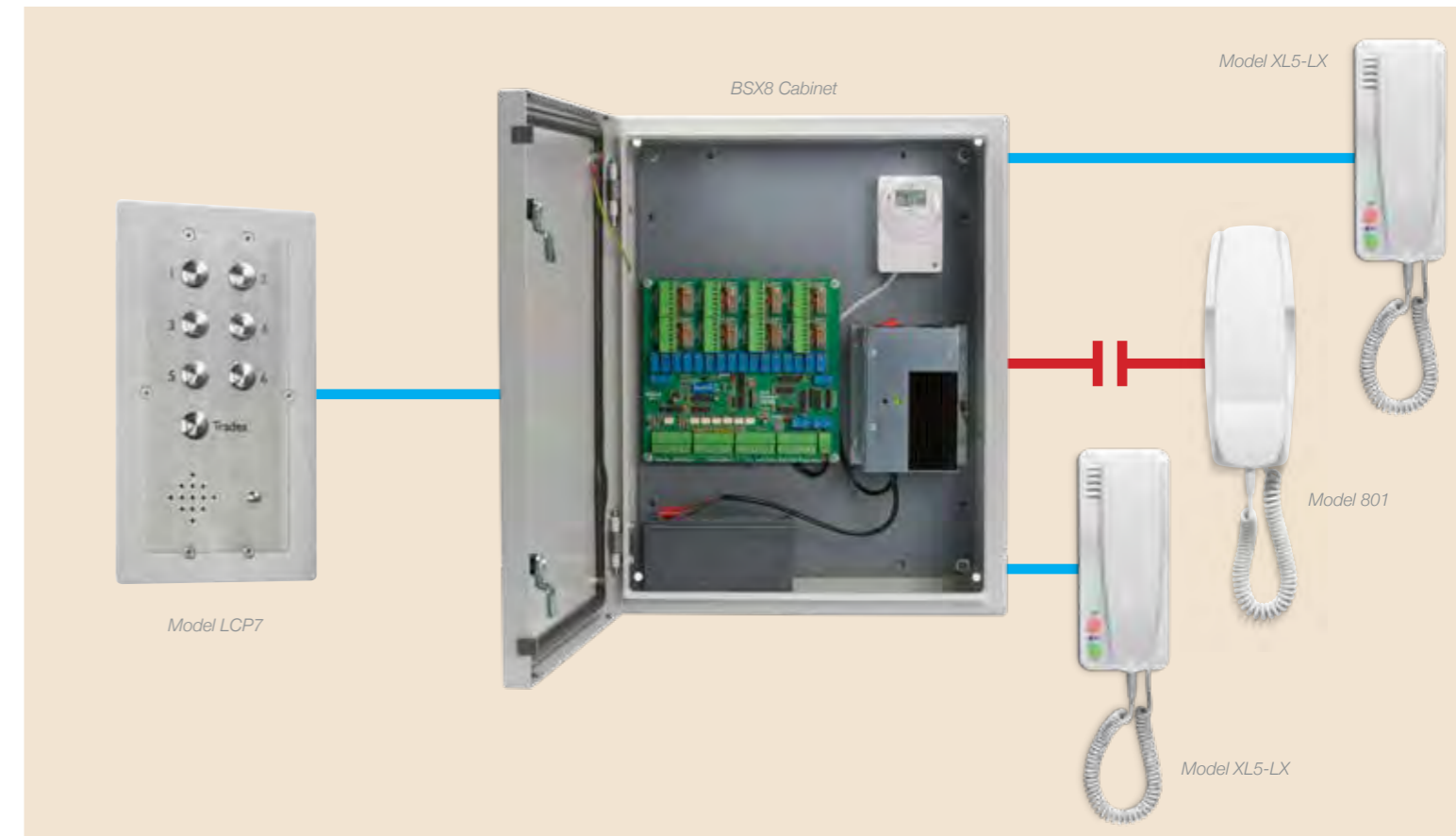
The BSX control unit

The BSX control equipment is housed in a secure lockable steel IP55 rated cabinet and can include the following:

- Isolating fused PCB removable connectors for the telephones
- A control PCB for each entrance providing timed output for door releases (fail-safe and fail-secure), output tones and inputs for trades buttons
- A model TS2000-BST 7 day quartz reserve time clock for trades access
- Regulated PSU with isolation switch
- A 12V 7A/H battery when battery standby is specified
- Optional access control e.g. Proximity controllers
- Adjustable lock, ring and talk times

Four BSX Control units are available;

- BSX8 8 station single door.
- BSX8-2 8 station two door.
- BSX16 16 station single door.
- BSX16-2 16 station two door.



Telephones

Any of our standard telephones may be used with the BSX exchange. Each telephone connected to the BSX control will have 'privacy of speech' due to the line isolation. To achieve full 'line-isolation', the telephones must be individually cabled directly to the control unit. The standard model 801 telephones can be used for economy but the model XL5-LX is highly recommended due to its added functions.

Telephones must be rung and answered before the lock can be released. A stuck unlocked button is ignored.

Front door panels

The model VRP and model LCP panels are recommended for use with the BSX system due to their resistance to vandalism.

Reassurance tone

A reassurance to the visitor that a call has been made and to indicate when the lock release has been operated.

Tradesmen facility

The facility for a time-restricted entry for tradesmen is included on the BSX control. The operation of the Trades push-button will only trigger the door release when the time clock within the BSX control is set to an ON period.

Electric lock release

The BSX control provides outputs for both fail-secure and fail-safe lock releases (including magnetic locks).